

DRAWING NUMBER/SHEET NUMBER
H010260

REMOVE ALL BURRS & SHARP EDGES

IF IN DOUBT ASK!

3RD ANGLE PROJECTION

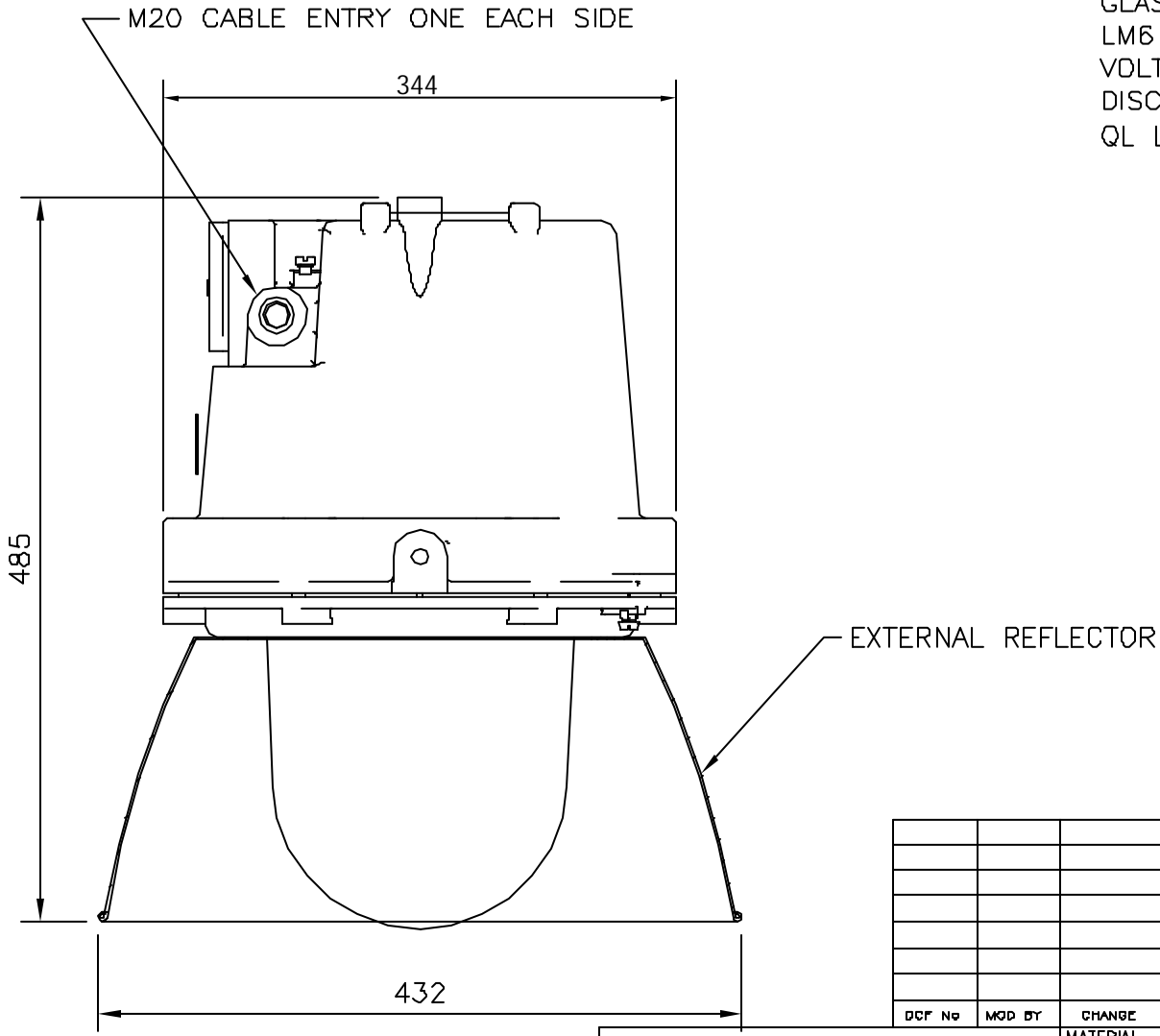
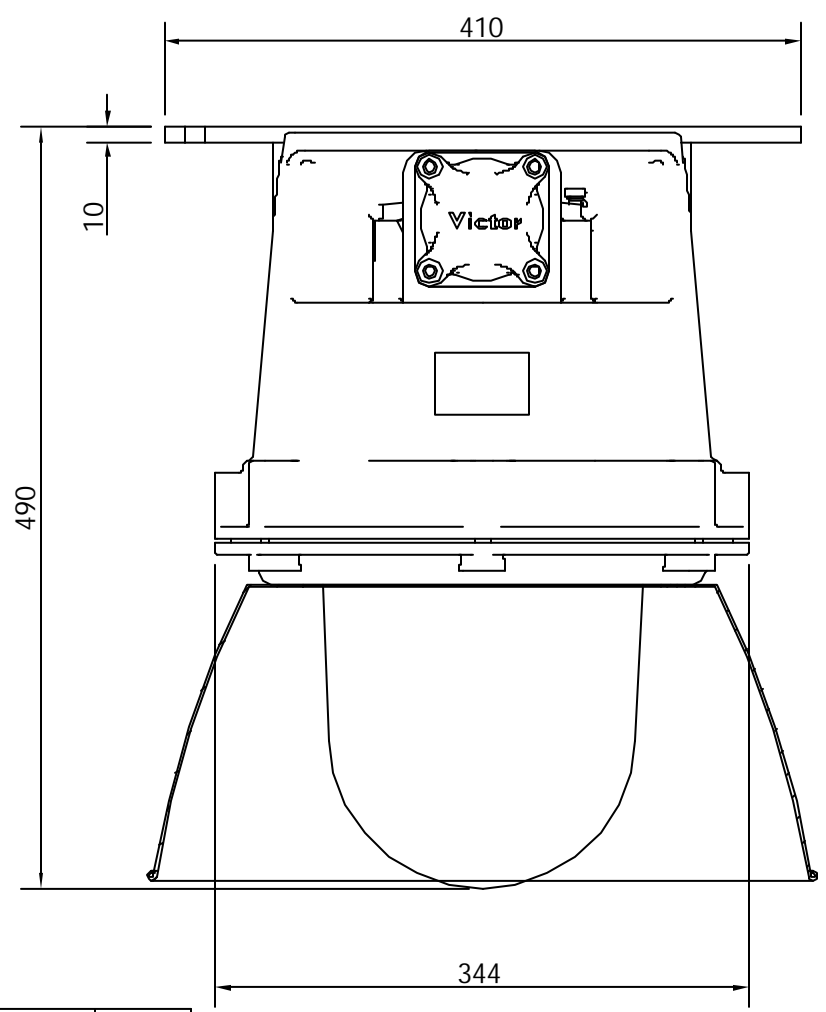
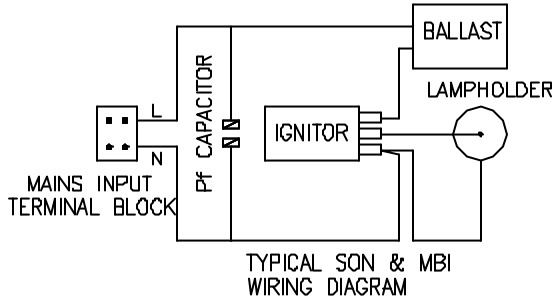
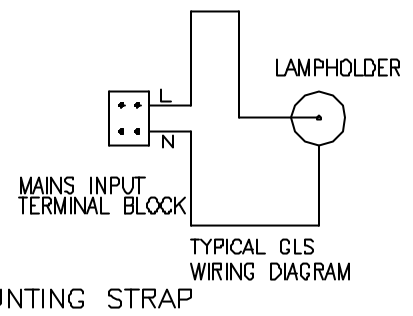
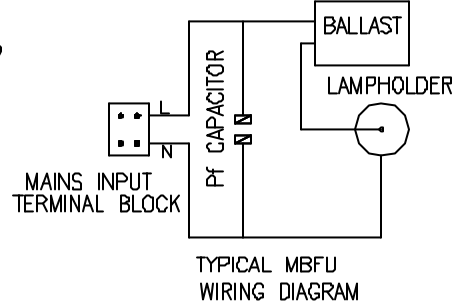
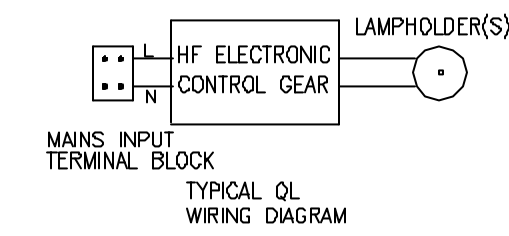
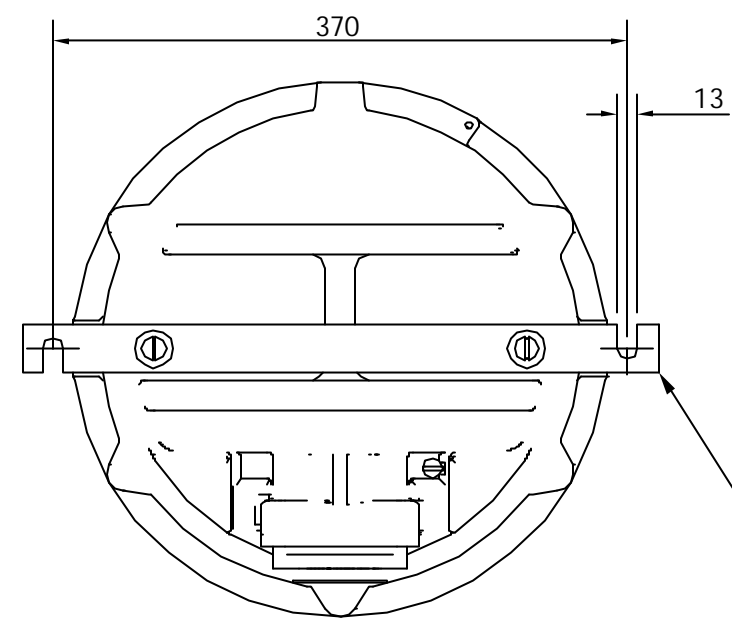
TEMPERATURES FOR PENDANT MOUNTED (FLAT STRAP), LAMP VERTICAL

LAMP TYPE	T3		T4		T5		T6		INCOMING CABLE TEMP. RISE ABOVE AMBIENT
	TEMPERATURE		TEMPERATURE		TEMPERATURE		TEMPERATURE		
	AMBIENT	DUST	AMBIENT	DUST	AMBIENT	DUST	AMBIENT	DUST	
150W SON	-	-	50°C	T125°C	-	-	-	-	47.3°C
250W SON/MBI	-	-	50°C	T125°C	-	-	-	-	47.3°C
400W SON/MBI	-	-	40°C	T130°C	-	-	-	-	55.1°C
250W MBF	-	-	50°C	T125°C	-	-	-	-	47.3°C
400W MBF	-	-	40°C	T130°C	-	-	-	-	55.1°C
500W GLS	-	-	30°C	T130°C	-	-	-	-	57.4°C
165W QL	-	-	-	-	55°C	T85°C	50°C	T80°C	25.4°C

DISCHARGE LAMPS CAN BE ELLIPTICAL OR TUBULAR IN SHAPE

NOTES

PRODUCT PROTECTION :- EEx de II C
 CERTIFICATE No. SIRAO1ATEX1274
 CODING :- Ex II 2 G D EEx de II T(SEE TABLE)
 TERMINALS :- UP TO 6mm SQ CONDUCTOR
 CABLE ENTRIES :- TWO x M20 ENTRIES
 INGRESS PROTECTION :- IP66/67
 BODY MATERIAL :- ALUMINIUM LM6 GRADE PAINTED SMOKE GREY
 GLASS & COVER :- TOUGHENED WELLGLASS WITH ALUMINIUM LM6 GRADE PAINTED SMOKE GREY COVER
 VOLTAGE & FREQUENCY :- GLS 250V MAX a.c/d.c 50/60Hz
 DISCHARGE 220V, 230V, 240V & 250V 50/60Hz a.c. ONLY
 QL LAMP 110V -130V a.c/d.c 50/60Hz
 220V - 250V a.c/d.c 50/60Hz



DRAWN	JTC
CHECKED	
APPROVED	
DATE	210807

WITHOUT OUR PERMISSION THIS DRAWING, WHICH IS OUR COPYRIGHT, MAY NOT BE REPRODUCED OR MADE AVAILABLE TO THIRD PARTIES.
 AUTHORIZATION IS GIVEN TO TO REPRODUCE THIS DRAWING FOR INTERNAL PURPOSES ONLY.

DCP No	MOD BY	CHANGE	ISSUE	DATE

Victor Lighting

Victor Lighting
 PO Box 5571,
 Glasgow G52 9AH
 Scotland
 Tel:0141 810 9644 Fax:0141 810 9642

TITLE
 VL39 PENDANT WELLGLASS +
 EXTERNAL REFLECTOR GA

DRAWING NUMBER/SHEET NUMBER
 H010260 1 OF 1