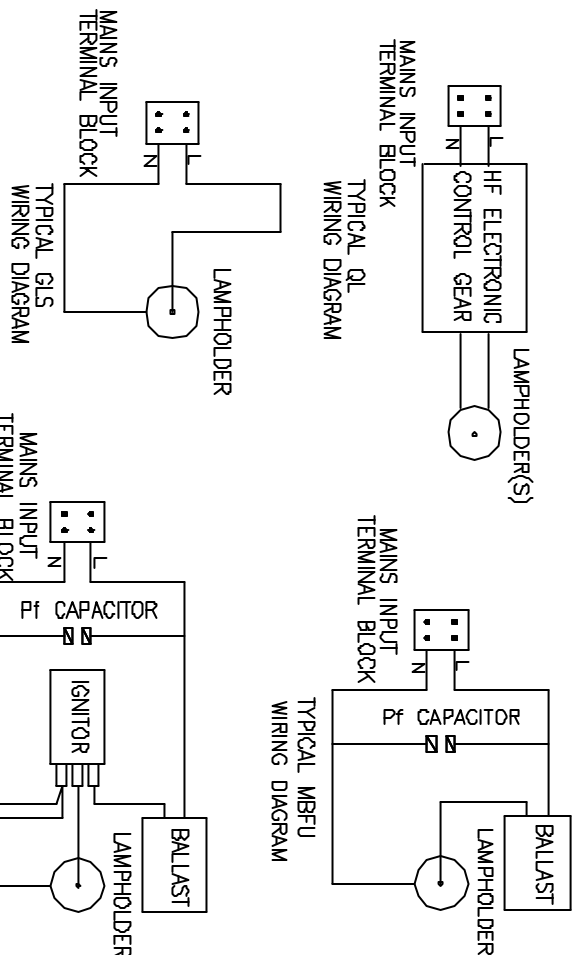
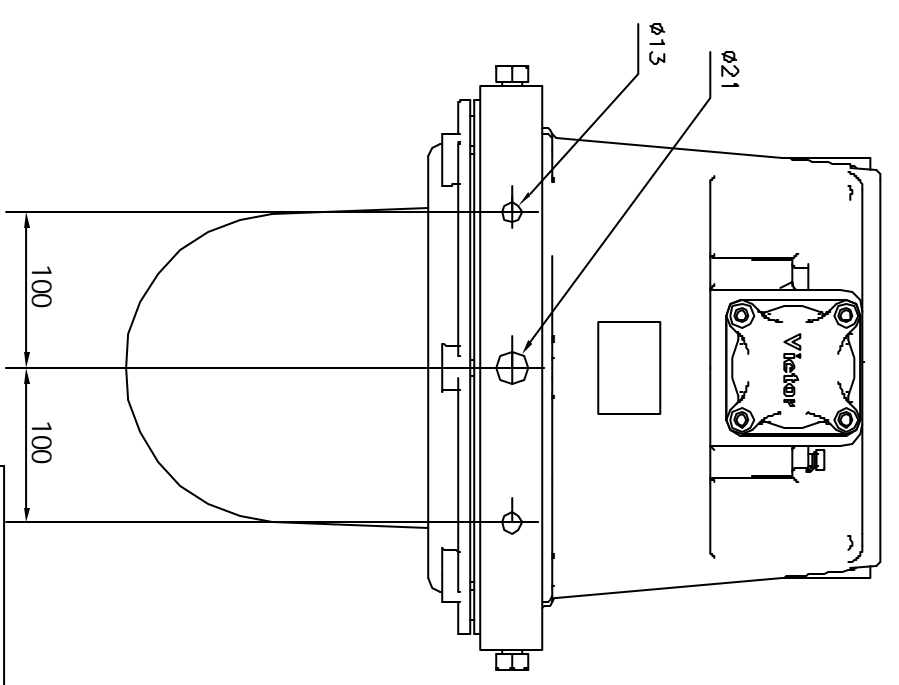
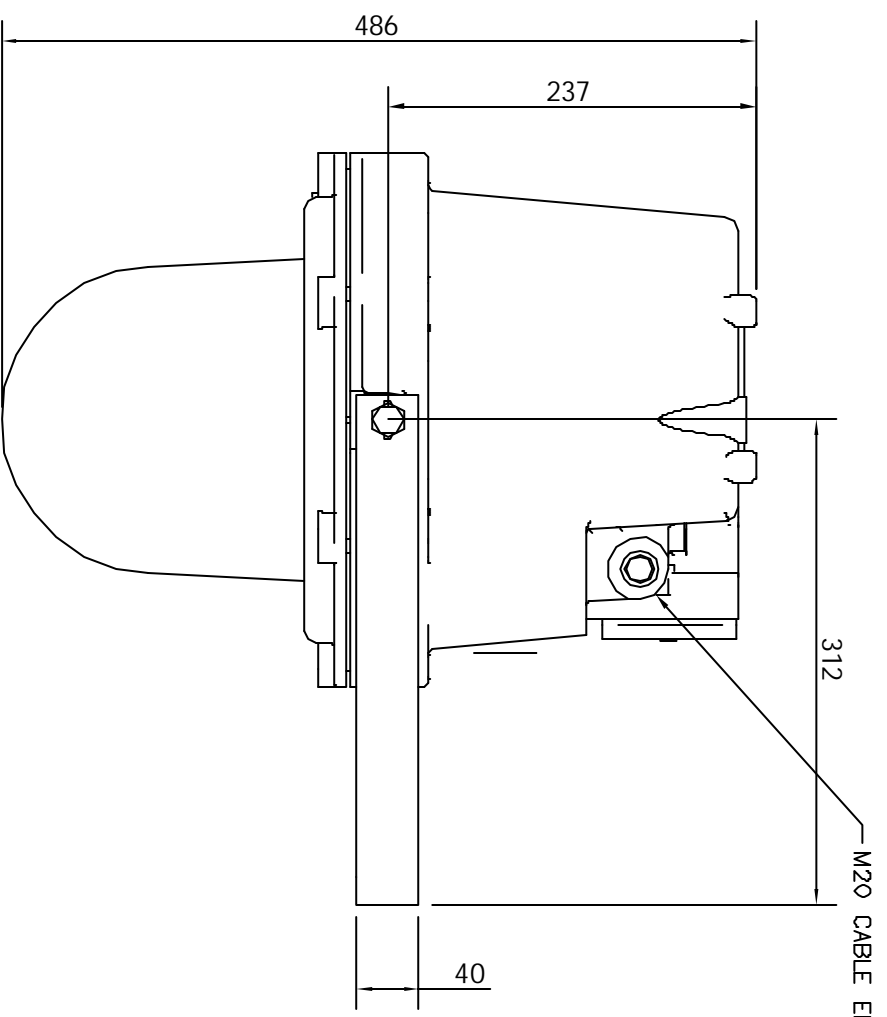
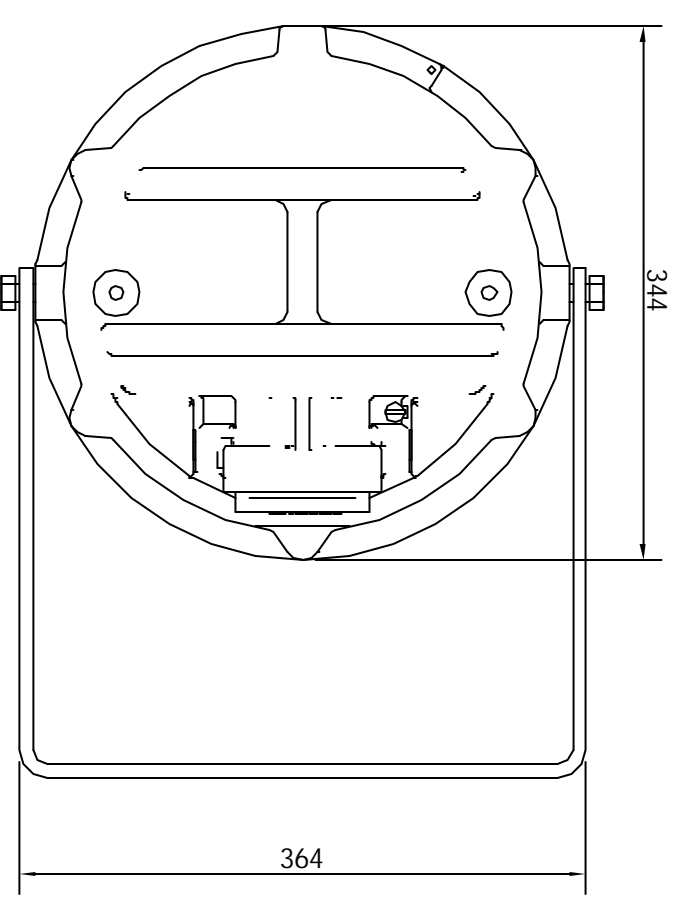


REMOVE ALL BURRS & SHARP EDGES

IF IN DOUBT ASK!

3RD ANGLE PROJECTION



TEMPERATURES FOR UNIVERSAL MOUNTED (STIRRUP)

LAMP TYPE	T3		T4		T5		T6		INCOMING CABLE TEMP. RISE ABOVE AMBIENT
	TEMPERATURE	DUST	TEMPERATURE	DUST	TEMPERATURE	DUST	TEMPERATURE	DUST	
150W SON	50°C	T145°C	35°C	T130°C	-	-	-	-	47.3°C
250W SON/MBI	50°C	T145°C	50°C	T125°C	-	-	-	-	47.3°C
400W SON/MBI	40°C	T170°C	-	-	-	-	-	-	55.1°C
250W MBF	50°C	T145°C	35°C	T130°C	-	-	-	-	47.3°C
400W MBF	40°C	T170°C	-	-	-	-	-	-	55.1°C
500W GLS	35°C	T170°C	-	-	-	-	-	-	57.4°C
165W QL	-	-	55°C	T105°C	50°C	T100°C	35°C	T85°C	25.4°C

DISCHARGE LAMPS CAN BE ELLIPTICAL OR TUBULAR IN SHAPE

**NOTES**  
 PRODUCT PROTECTION :- EEx de II C  
 CERTIFICATE NO. SIRAO1ATEX1274  
 CODING :- Ex II 2 G D EEx de II (SEE TABLE)  
 TERMINALS :- UP TO 6mm SQ CONDUCTOR  
 CABLE ENTRIES :- TWO x M20 ENTRIES  
 BODY MATERIAL :- ALUMINIUM LM6 GRADE PAINTED SMOKE GREY  
 INGRESS PROTECTION :- IP66/67  
 GLASS & COVER :- TOUGHENED WELGLASS WITH ALUMINIUM LM6 GRADE PAINTED SMOKE GREY COVER  
 VOLTAGE & FREQUENCY :- GLS 250V MAX a.c./d.c 50/60Hz DISCHARGE 220V, 230V, 240V & 250V 50/60Hz a.c. ONLY  
 QL LAMP 110V -130V a.c./d.c 50/60Hz  
 220V - 250V a.c./d.c 50/60Hz

DRAWN	JTC
CHECKED	
APPROVED	
DATE	

WITHOUT OUR PERMISSION THIS DRAWING, WHICH IS OUR COPYRIGHT, MAY NOT BE REPRODUCED OR MADE AVAILABLE TO THIRD PARTIES.  
 AUTHORIZATION IS GIVEN TO .....  
 TO REPRODUCE THIS DRAWING FOR INTERNAL PURPOSES ONLY.

CHANGE	MOD BY	DATE	TOLERANCE	ISSUE	DATE	TITLE
						<b>Victor Lighting</b> Victor Lighting PO Box 5574, Glasgow G52 9AH Scotland Tel:0141 810 9644 Fax:0141 810 9642
						VL39 STIRRUP WELGLASS GA

DIMS. IN	MM	SCALE	-	DRAWING NUMBER/SHEET NUMBER	F2473 1 OF 1
----------	----	-------	---	-----------------------------	--------------