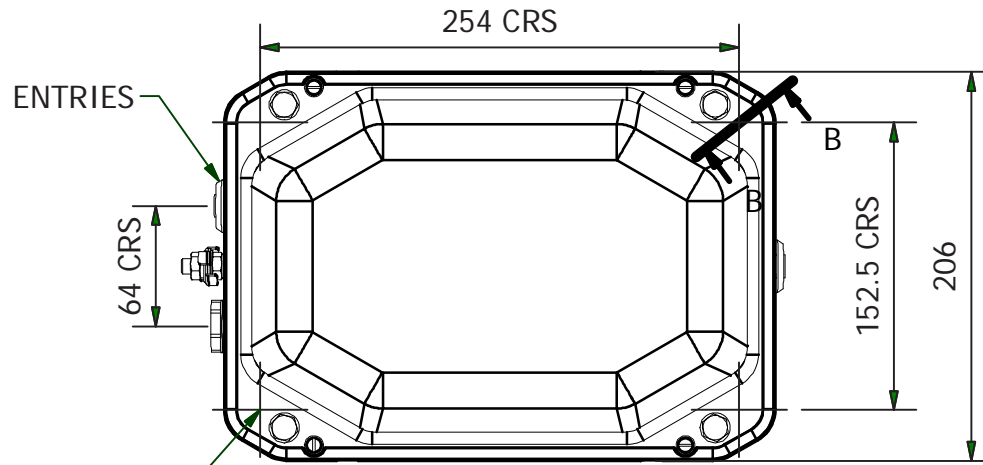
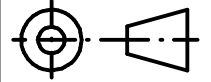
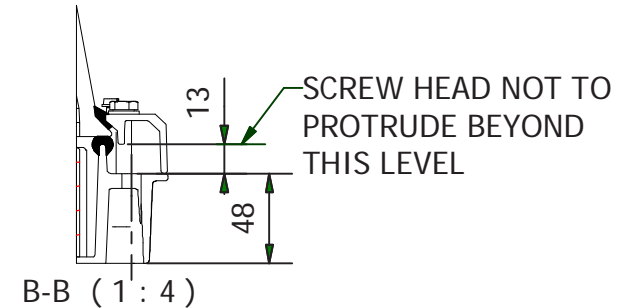
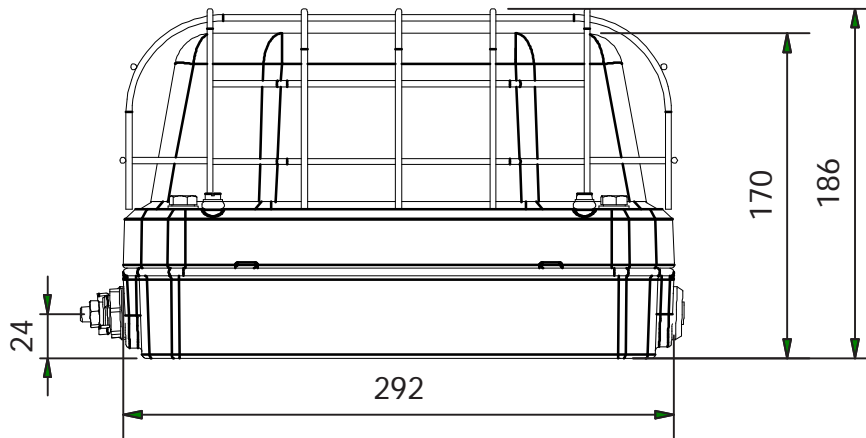


THIS DRAWING IS THE PROPERTY OF VICTOR LIGHTING AND CONTAINS CONFIDENTIAL AND COPYRIGHTED INFORMATION. ANY COPYING, USE OR DISCLOSURE OF THIS DRAWING, OR THE INFORMATION THEREIN, WITHOUT PERMISSION IS STRICTLY FORBIDDEN.



4 FIXING HOLES • 10.3



DEBURR AND REMOVE SHARP EDGES	IF IN DOUBT, ASK Victor Lighting	ORIGINAL ISSUE		00		
		DCF No	Change description		Rev.	Initials
Material	PO Box 5571 Glasgow G52 9AH Scotland Tel: +44 (0) 141 810 9644 Fax: +44 (0) 141 810 9642 www.victor-lighting.com	Scale	Drawn by idachlan	Checked by	Approved by	
Finish		Date 31/08/2007	Date	Date	Date	
		Unless stated otherwise: Dimensions in: mm Tolerances: Linear ± 0.2 Angular • 0.5• Surface Finish: 1.6 ✓		Title TECHNICAL DRAWING		
		Drawing number H014219	Revision A	Sheet number 1 / 1		