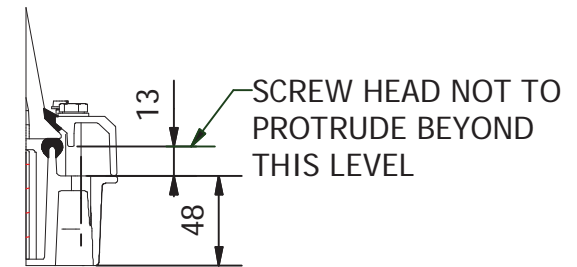
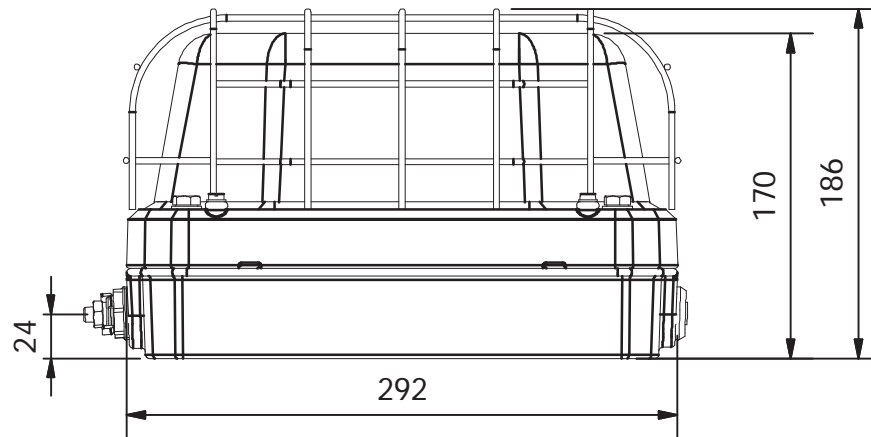
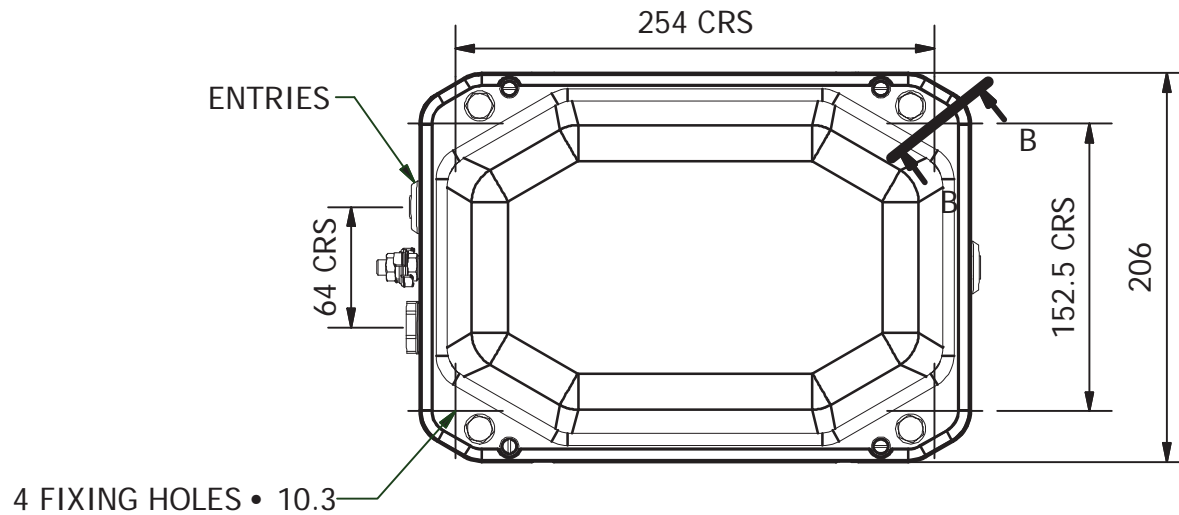
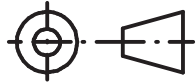


THIS DRAWING IS THE PROPERTY OF VICTOR LIGHTING AND CONTAINS CONFIDENTIAL AND COPYRIGHTED INFORMATION. ANY COPYING, USE OR DISCLOSURE OF THIS DRAWING, OR THE INFORMATION THEREIN, WITHOUT PERMISSION IS STRICTLY FORBIDDEN.



B-B (1:4)

DEBURR AND REMOVE SHARP EDGES
Material
Finish

IF IN DOUBT, ASK



PO Box 5571
Glasgow G52 9AH
Scotland
Tel: +44 (0) 141 810 9644
Fax: +44 (0) 141 810 9642
www.victor-lighting.com

DCF No	ORIGINAL ISSUE			00
Scale	Change description	Rev.	Initials	Date
Drawn by idachlan	Checked by	Approved by		
Date 31/08/2007	Date	Date		
Unless stated otherwise: Dimensions in: mm Tolerances: Linear ± 0.2 Angular • 0.5• Surface Finish: 1.6 ✓		Title TECHNICAL DRAWING		
Drawing number H014219		Revision A	Sheet number 1 / 1	