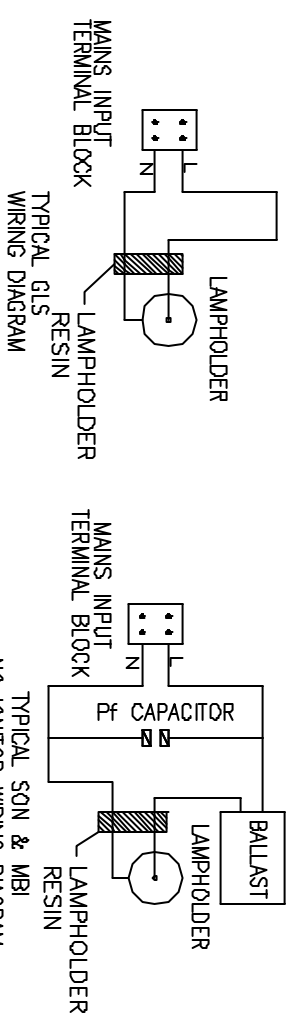


REMOVE ALL BURRS & SHARP EDGES

IF IN DOUBT ASK!

3RD ANGLE PROJECTION

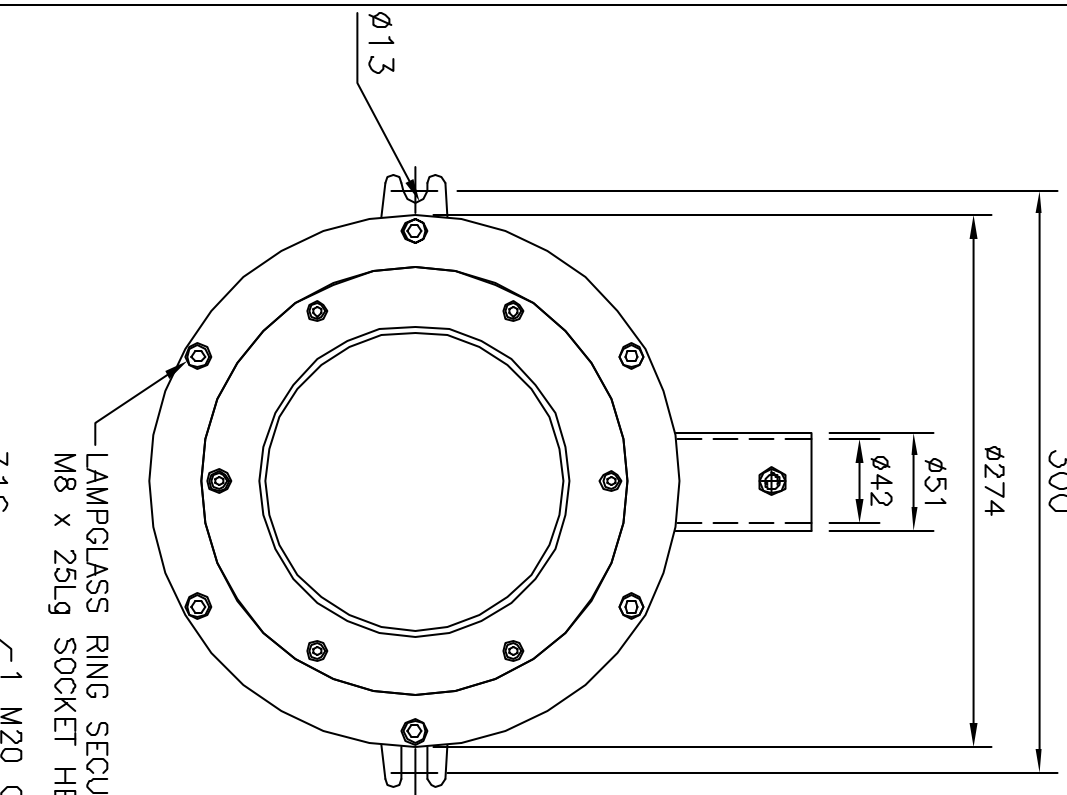


LAMP TYPE	T3	T4	T5	T6	DUST TEMPERATURE	INCOMING CABLE TEMP. RISE ABOVE AMBIENT
	UNIVERSAL MOUNTING	UNIVERSAL MOUNTING	UNIVERSAL MOUNTING	UNIVERSAL MOUNTING		
50W SON	70°C	55°C	25°C	N/A	75°C	24°C
70W SON	70°C	55°C	25°C	N/A	75°C	24°C
150W SON*	47°C	25°C	N/A	N/A	105°C	40°C
70W MBI	70°C	55°C	25°C	N/A	75°C	24°C
100W MBI	60°C	N/A	N/A	N/A	115°C	38°C
150W MBI	47°C	25°C	N/A	N/A	105°C	40°C
50W MBF	70°C	55°C	25°C	N/A	75°C	24°C
80W MBF	68°C	40°C	N/A	N/A	90°C	31°C
125W MBF	60°C	N/A	N/A	N/A	115°C	38°C
200W GLS MAX	65°C	N/A	N/A	N/A	110°C	38°C

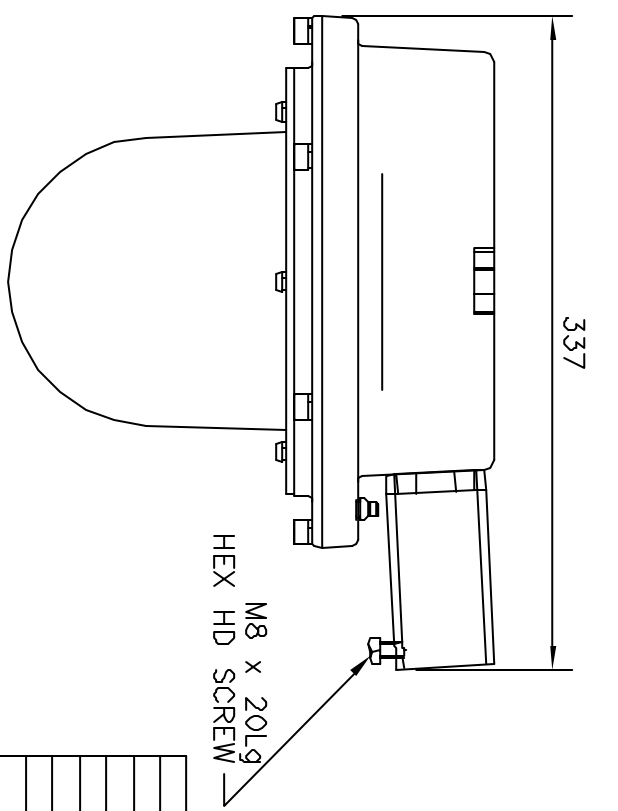
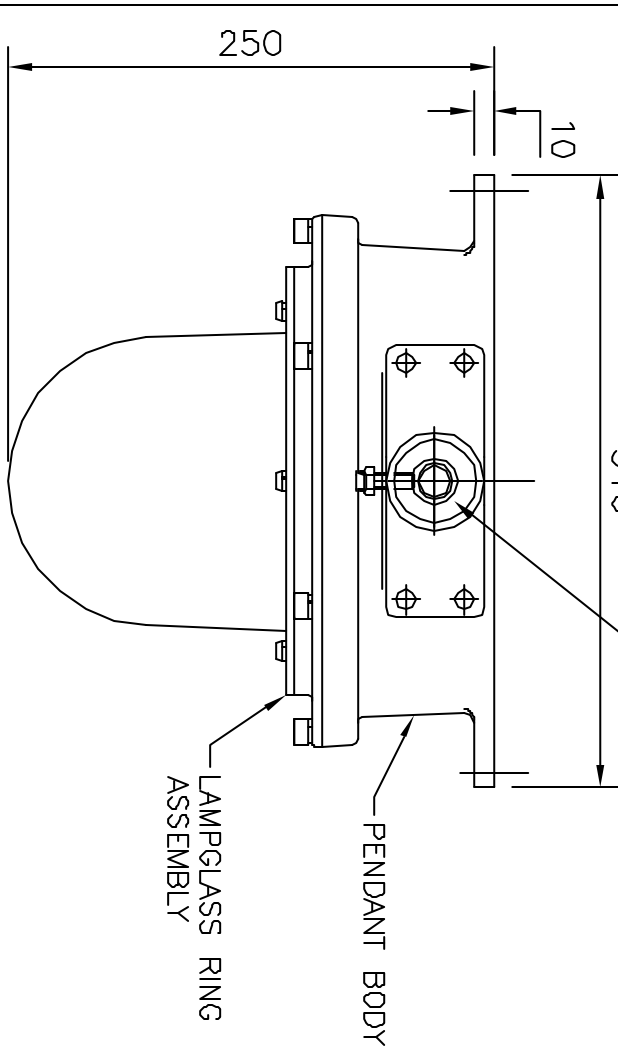
DISCHARGE LAMPS CAN BE ELLIPTICAL OR TUBULAR IN SHAPE  
\*LAMP MANUFACTURED BY IWASAKI LIGHTING ONLY

NOTES

PRODUCT PROTECTION :- EEX de IIC T6  
 CERTIFICATE No. SIRAD4ATEX1220  
 CODING :- Ex II 2 G D EEx de IIC T(SEE TABLE)  
 TERMINALS :- UP TO 6mm SQ CONDUCTOR  
 CABLE ENTRIES :- TWO x M20 ENTRIES  
 INGRESS PROTECTION :- IP66/67  
 BODY MATERIAL :- ALUMINIUM LM6 GRADE PAINTED SMOKE GREY  
 GLASS & COVER :- TOUGHENED WELGLASS WITH ALUMINIUM  
 LM6 GRADE PAINTED SMOKE GREY COVER  
 VOLTAGE & FREQUENCY :- GLS 250V MAX a.c./d.c 50/60HZ  
 DISCHARGE 220V, 230V, 240V & 250V 50/60HZ a.c. ONLY



LAMPGLASS RING SECURED BY 6 OFF  
M8 x 25Lg SOCKET HEAD CAP SCREWS



CHANGE	MOD BY	DATE	ISSUE	DATE

**Victor Lighting**

Victor Lighting  
PO Box 5574  
Glasgow G52 9AH  
Scotland  
Tel:0141 810 9644 Fax:0141 810 9642

TITLE  
VL147 SPIGOT WELGLASS GA

DRAWN	JTC
CHECKED	
APPROVED	
DATE	

WITHOUT OUR PERMISSION THIS DRAWING, WHICH IS OUR  
 COPYRIGHT, MAY NOT BE REPRODUCED OR MADE AVAILABLE  
 TO THIRD PARTIES.  
 AUTHORIZATION IS GIVEN TO .....  
 TO REPRODUCE THIS DRAWING FOR INTERNAL PURPOSES ONLY.

MATERIAL	ALUMINIUM LM6	TOLERANCE	
FINISH	PAINTED SMOKE GREY	SURFACE ROUGHNESS	
DIMS. IN	MM	SCALE	-
DRAWING NUMBER/SHEET NUMBER	F2467 1 OF 1		