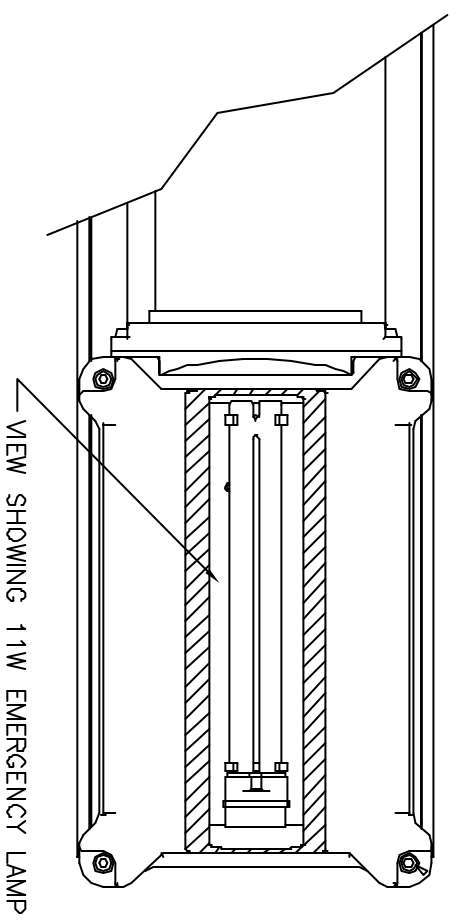
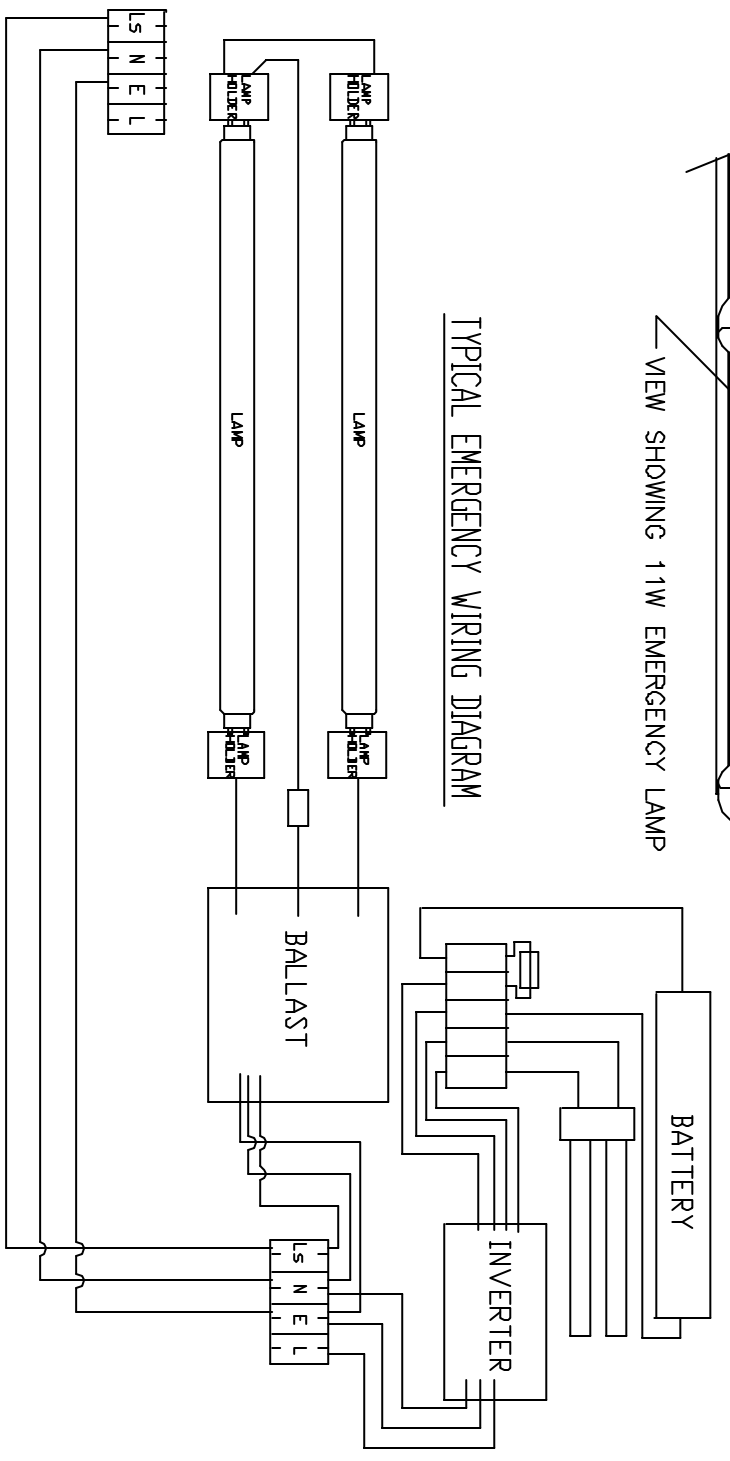


VIEW ON CABLE ENTRY SIDE OF BALLAST HOUSING SHOWING LOOP-IN-LOOP OUT FACILITY



VIEW SHOWING 11W EMERGENCY LAMP

TYPICAL EMERGENCY WIRING DIAGRAM



CATALOGUE REF.	DESCRIPTION	WATTAGE	LAMP	VOLTAGE	FREQUENCY
TRIE/218/BI/EM/TW	TRIDENT VL126	2 x 18W	BI PIN	220 - 254V	50-60Hz
TRIE/236/BI/EM/TW		2 x 36W			
TRIE/258/BI/EM/TW		2 x 58W			
TRIE/218/BI/EM/120/TW		2 x 18W			
TRIE/236/BI/EM/120/TW		2 x 36W			

WITHOUT OUR PERMISSION THIS DRAWING, WHICH IS OUR COPYRIGHT, MAY NOT BE REPRODUCED OR MADE AVAILABLE TO THIRD PARTIES. AUTHORIZATION IS GIVEN TO REPRODUCE THIS DRAWING FOR INTERNAL PURPOSES ONLY.

CHANGE	MOD BY	DATE	MATERIAL	FINISH	TOLERANCE	SURFACE ROUGHNESS	SCALE	DATE
			Polycarbonate	Self	+/-2.0			

Victor Lighting

Victor Lighting
 388 Hillington Road,
 Glasgow, G52 4BL
 Scotland
 Tel:0141 810 9644 Fax:0141 810 9642

VL126 Trident
 GA DRAWING

DRAWING NUMBER/SHEET NUMBER
 F2219 1 OF 1

NOTES:
 PRODUCT PROTECTION: EEx em II T4
 CERTIFICATE No: SIRAD3ATEX3206
 CODING: Ex II 2GD EEx em IIC T4 -15C to +55C(18 & 38W VERSIONS)
 Ex II 2GD EEx em IIC T4 -15C TO +50C (58W VERSION)
 TERMINALS : UP TO 6MM SQ.
 CABLE ENTRIES : FOUR X M20 ENTRIES
 INGRESS PROTECTION : IP66/67
 ENCLOSURE : POLYCARBONATE MOULDING
 LAMP ENVELOPE : POLYCARBONATE
 REFLECTOR : MARINE GRADE STAINLESS STEEL,PRE TREATED WITH RRC1 AND EPOXY POWDER COATED
 GASKET: SILICONE
 EXTERNAL FASTNERS: STAINLESS STEEL
 WEIGHT:
 VARIANT: 2X18W 2X36W 2X58W
 THROUGH WIRED : 6.0KG 7.6KG 8.4KG