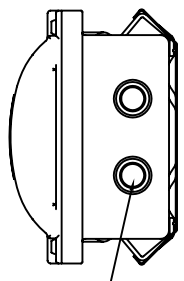
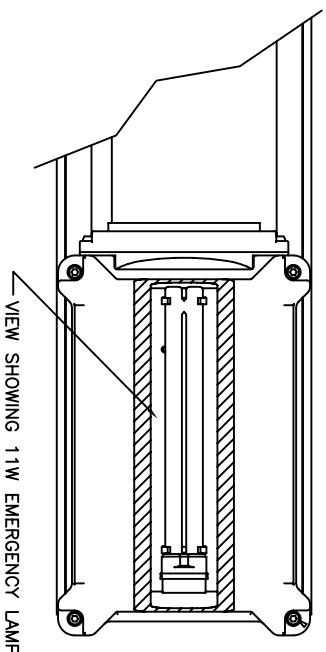
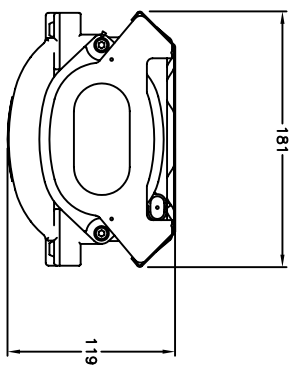
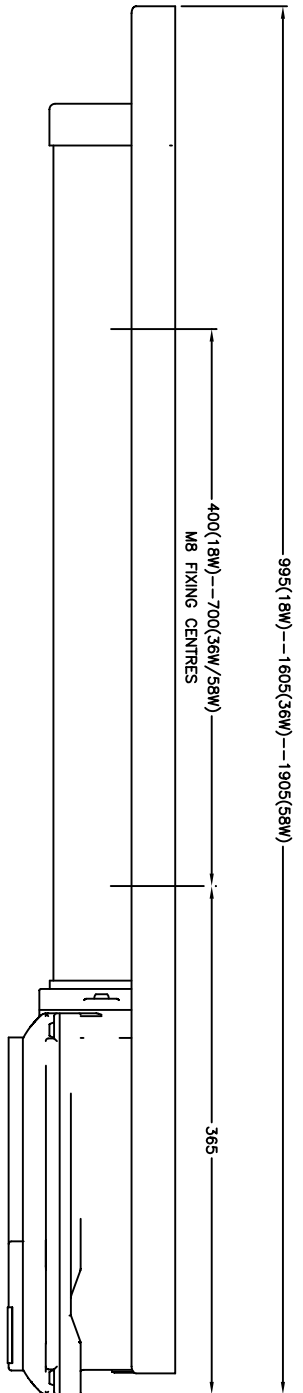


DRAWING NUMBER/SHEET NUMBER
F2219

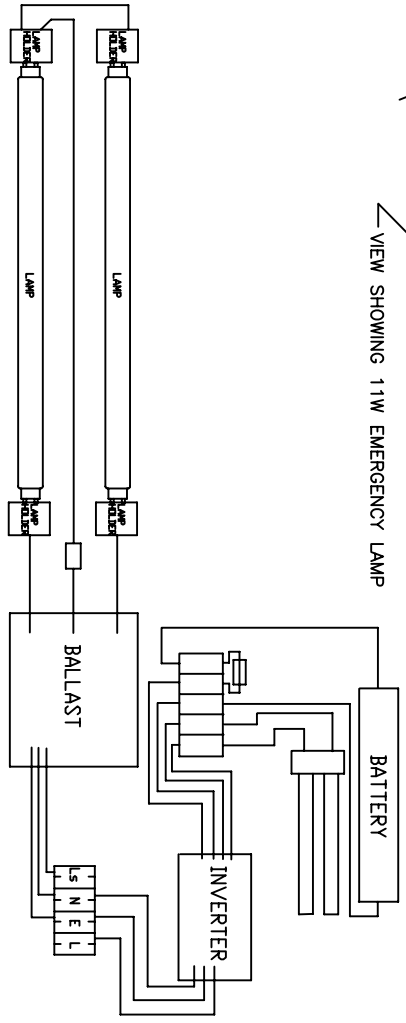
REMOVE ALL BURRS & SHARP EDGES

IF IN DOUBT ASK!

3RD ANGLE PROJECTION



VIEW ON CABLE ENTRY SIDE OF BALLAST HOUSING SHOWING LOOP-IN-LOOP OUT FACILITY



TYPICAL EMERGENCY WIRING DIAGRAM

NOTES:

PRODUCT PROTECTION: EEx em II T4
CERTIFICATE No: SIRA03ATEX3206

CODING: Ex II 2GD EEx em IIC T4 -15C to +55C(18 & 38W VERSIONS)
Ex II 2GD EEx em IIC T4 -15C TO +50C (58W VERSION)

TERMINALS : UP TO 6MM SQ.
CABLE ENTRIES : TWO X M20 ENTRIES

INGRESS PROTECTION : IP66/67
ENCLOSURE : POLYCARBONATE Moulding

LAMP ENVELOPE : POLYCARBONATE
REFLECTOR : MARINE GRADE STAINLESS STEEL, PRE TREATED WITH RRC1 AND EPOXY POWDER COATED

GASKET: SILICONE
EXTERNAL FASTENERS: STAINLESS STEEL

WEIGHT:

VARIANT:	<u>2X18W</u>	<u>2X36W</u>	<u>2X58W</u>
LOOP-IN-LOOP OUT:	5.4KG	7.0KG	7.8KG
THROUGH WIRED :	6.0KG	7.6KG	8.4KG
POLE MOUNT :	5.7KG	7.3KG	8.1KG

CATALOGUE REF.	DESCRIPTION	WATTAGE	LAMP	VOLTAGE	FREQUENCY
TRIE/218/BI/EM	TRIDENT V.126	2 x 18W	BI PIN	220 - 254V	50-60HZ
TRIE/236/BI/EM		2 x 36W			
TRIE/258/BI/EM		2 x 58W			
TRIE/218/BI/EM/120		2 x 18W			
TRIE/236/BI/EM/120		2 x 36W		110 - 130V	

DRAWN	Slee
CHECKED	Slee
APPROVED	Slee
DATE	30.08.06

REF. DRGS:-

WITHOUT OUR PERMISSION THIS DRAWING, WHICH IS OUR COPYRIGHT, MAY NOT BE REPRODUCED OR MADE AVAILABLE TO THIRD PARTIES.
AUTHORISATION IS GIVEN TO
TO REPRODUCE THIS DRAWING FOR INTERNAL PURPOSES ONLY.

QTY	NO	BY	MATERIAL	TOLERANCE	SCALE	DATE
			CHANGE	+/-2.0		
			Polycarbonate	SURFACE ROUGHNESS		
			Self			

Victor Lighting

Victor Lighting
388 Hillington Road,
Glasgow G52 4BL,
Scotland
Tel:0141 810 9644 Fax:0141 810 9642

V.126 Trident
GA DRAWING

DRAWING NUMBER/SHEET NUMBER
F2219 1 OF 1