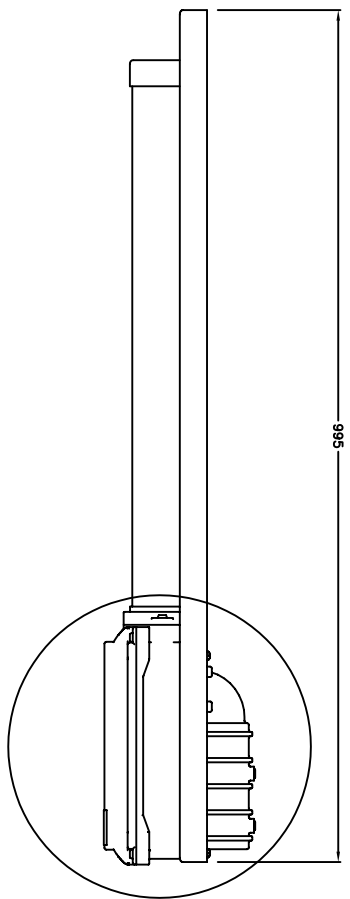
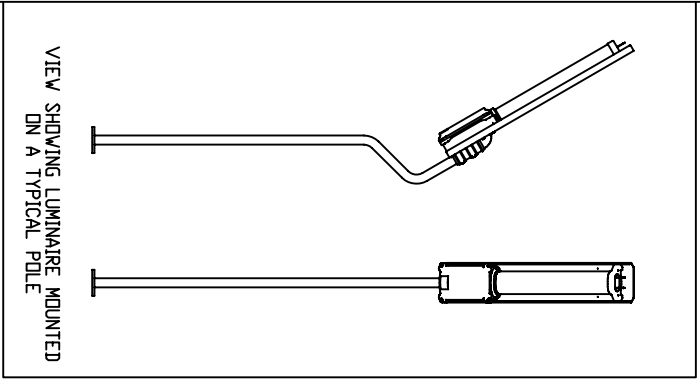


DRAWING NUMBER/SHEET NUMBER
F2542

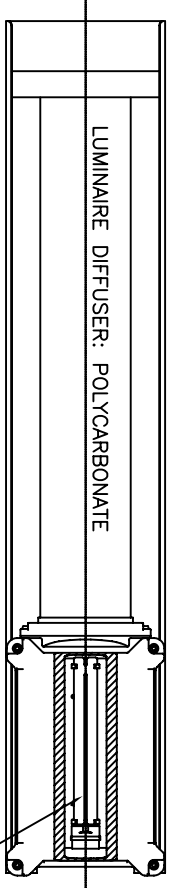
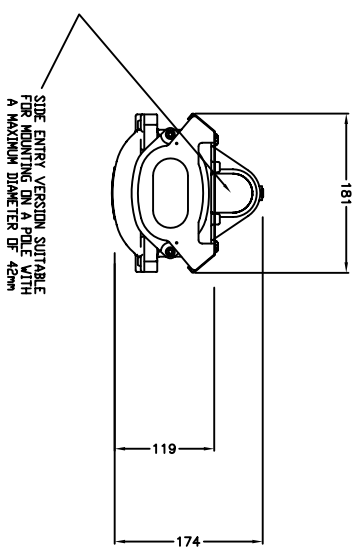
REMOVE ALL BURRS & SHARP EDGES

IF IN DOUBT ASK!

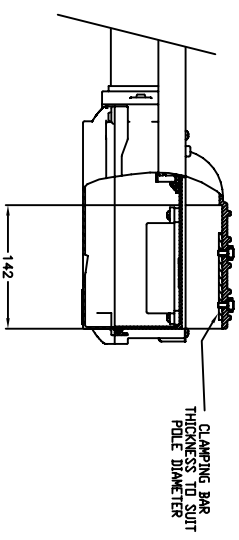
3RD ANGLE PROJECTION



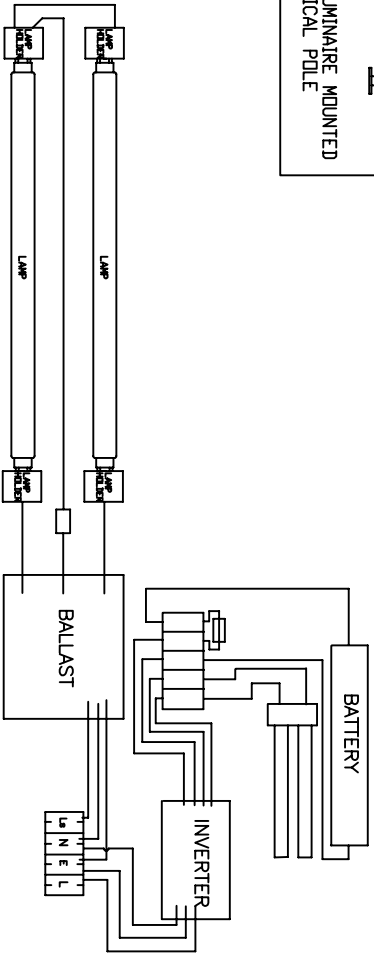
VIEW 'A'



LUMINAIRE BODY : GRP
11W COMPACT FLUORESCENT LAMP
(EMERGENCY)
(3 HOUR DURATION)



VIEW 'A'
SHOWING POLE CLAMPING HOLE CROSS SECTION



WIRING DIAGRAM FOR EMERGENCY VL126

NOTES:

- PRODUCT PROTECTION: EEX em II T4
- CERTIFICATE No: SIRAO3ATEX3206
- CODING: Ex II 2GD EEx em IIC T4 -15C to +55C
- TERMINALS : UP TO 4MM SQ.
- CABLE ENTRIES : ONE X M20 ENTRIES
- INGRESS PROTECTION : IP66/67
- SUPPLY VOLTAGE: 220V-254V-47-63Hz AC/DC
- LAMP TYPE: BI-PIN -T8, 26mm DIA , G13 CAP
- WEIGHT : 5.7KG

DRAWN	Slee
CHECKED	
APPROVED	
DATE	16.11.06

WITHOUT OUR PERMISSION THIS DRAWING, WHICH IS OUR COPYRIGHT, MAY NOT BE REPRODUCED OR MADE AVAILABLE TO THIRD PARTIES.
AUTHORISATION IS GIVEN TO TO REPRODUCE THIS DRAWING FOR INTERNAL PURPOSES ONLY.

DCP No.	MOD BY	CHANGE	TOLERANCE	ISSUE	DATE

Victor Lighting

Victor Lighting
Po Box 5571,
Glasgow G52 9AH
Scotland
Tel:0141 810 9644 Fax:0141 810 9642

TRIE/218/B/EM/SE
2X18W EMERGENCY
VL126 SIDE ENTRY

DRAWING NUMBER/SHEET NUMBER
F2542 1 OF 1