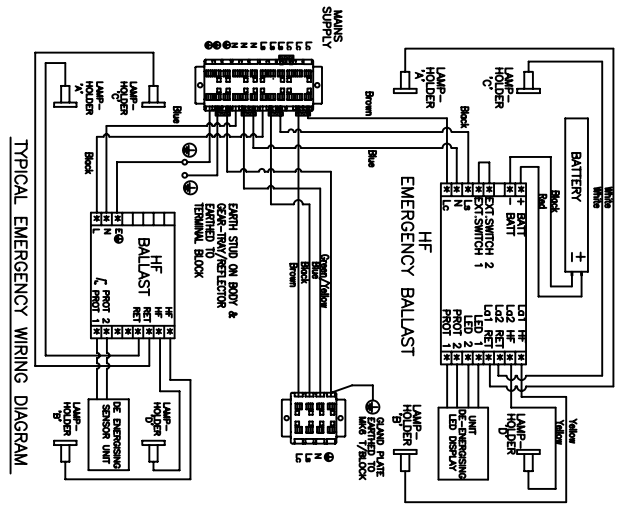


Battery:
INTERNAL NI-CD (6V,4Ah)
STANDARD EMERGENCY DURATION:
90 MINUTES TO EN60598-2-2
30% OF ONE LAMP (18W)
25% OF ONE LAMP (36W)



NOTES:
CERTIFICATE No: Baseefr05ATEX0237X
CODING: Ex II 2GD EEx eqm II T4
-20C TO +40C
TERMINALS : UP TO 6MM SQ/4 CORES
CABLE ENTRIES : THREE X 20mm ENTRIES ON TOP OF LUMINAIRE
CONTROL GEAR: ELECTRONIC CONTROL GEAR C/W EMERG INVERTER
INGRESS PROTECTION : IP65 TO EN60598-1:2000
ENCLOSURE : WHITE POLYESTER PAINTED ZINC COATED
STEEL BODY & FRAME
DIFFUSER: PRISMATIC POLYCARBONATE
REFLECTOR: WHITE POLYESTER PAINTED ZINC COATED STEEL
GASKET: EPDM RUBBER
WEIGHT:
4X18W - 18KG
4X36W - 22KG

CATALOGUE REF	'A'	'B'	CIRCUIT WATTS	POWER SUPPLY
104E/418/BI/EM	599	599	80	220-254V AC/DC
104E/436/BI/EM	599	1199	154	220-254V AC/DC

LUMINAIRE SATISFIES THE REQUIREMENTS OF FS 209D
AND CLASS 100 CLEAN ROOMS

DRAWN	sliee
CHECKED	
APPROVED	
DATE	13.09.06

REF. DRES:-

DOC No.	MOD BY	CHANGE	MATERIAL	TOLERANCE	ISSUE	DATE	TITLE
			ZINC COATED STEEL				Victor Lighting Po Box 5571, Glasgow G52 9AH Scotland Tel:0141 810 9644 Fax:0141 810 9642
			Finish	SURFACE ROUGHNESS			VL104C EM RECESSIBLE 4X18 & 4X36W MST CEILING TYPE
							DRAWING NUMBER/SHEET NUMBER F2496 1 OF 1

WITHOUT OUR PERMISSION THIS DRAWING, WHICH IS OUR
COPYRIGHT, MAY NOT BE REPRODUCED OR MADE AVAILABLE
TO THIRD PARTIES.
AUTHORISATION IS GIVEN TO
TO REPRODUCE THIS DRAWING FOR INTERNAL PURPOSES ONLY.

DIMS. IN MM

SCALE -