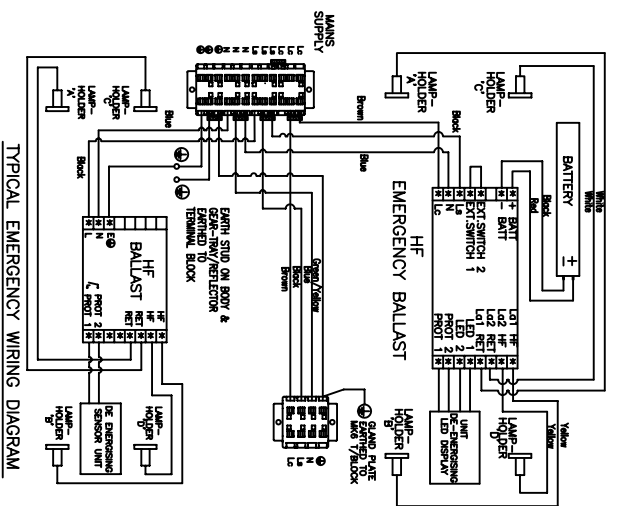


Battery:
INTERNAL NI-CD (6V,4Ah)
STANDARD EMERGENCY DURATION:
90 MINUTES TO EN60598-2-2
30% OF ONE LAMP (18W)
25% OF ONE LAMP (36W)

NOTES:
CERTIFICATE No: Baseefa05ATEX0237X
CODING: Ex II 2GD EEx eqm II T4
-20C TO +40C
TERMINALS : UP TO 6MM² SQ/4 CORES
CABLE ENTRIES : THREE X 20mm ENTRIES ON TOP OF LUMINAIRE
CONTROL GEAR: ELECTRONIC CONTROL GEAR C/W EMERG INVERTER
INGRESS PROTECTION : IP65 TO EN60598:1-2000
ENCLOSURE : WHITE POLYESTER PAINTED ZINC COATED
STEEL BODY & FRAME
DIFFUSER: PRISMATIC POLYCARBONATE
REFLECTOR: WHITE POLYESTER PAINTED ZINC COATED STEEL
GASKET: EPDM RUBBER
WEIGHT:
4X18W - 18KG
4X36W - 22KG



CATALOGUE REF	'A'	'B'	CIRCUIT WATTS	POWER SUPPLY
104E/418/B/EM	600	600	80	220-254V AC/DC
104E/436/B/EM	600	1200	154	220-254V AC/DC

LUMINAIRE SATISFIES THE REQUIREMENTS OF FS 209D
AND CLASS 100 CLEAN ROOMS

REF. DRS:-	DATE	APPROVED	CHECKED	DRAWN
	06.09.2006			Slee

DOF No.	MOD BY	MATERIAL	TOLERANCE	FINISH	DIMS. IN	SCALE	TITLE
		ZINC COATED STEEL		WHITE POLYESTER PAINTED	MM		Victor Lighting PO Box 5571, Glasgow G52 9AH Scotland Tel:0141 810 9644 Fax:0141 810 9642

Victor Lighting

DL1104C EM RECESSIBLE
4X18W & 4X36W VERSION
MET CEILING TYPE
DRAWING NUMBER/SHEET NUMBER
F2489 1 OF 1