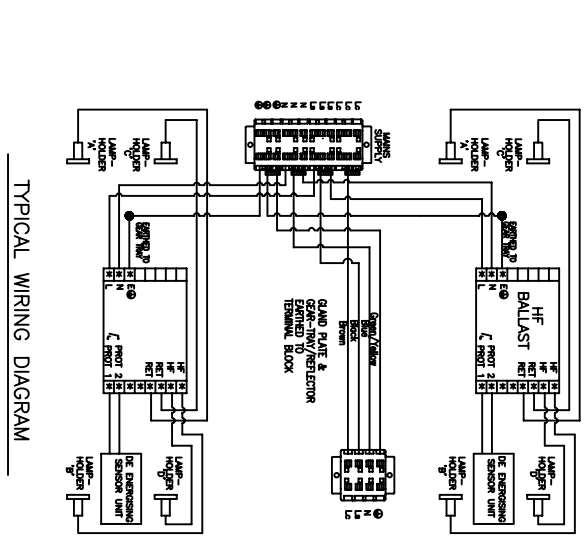


CATALOGUE REF	'A'	'B'	CIRCUIT WATTS	POWER SUPPLY
104E/418/BI	600	600	70	220-254V AC/DC
104E/436/BI	600	1200	140	220-300V DC 50-60 HZ

LUMINAIRE SATISFIES THE REQUIREMENTS OF FS 209D
AND CLASS 100 CLEAN ROOMS

DRAWN	Slee
CHECKED	
APPROVED	
DATE	06.09.2006



TYPICAL WIRING DIAGRAM

- NOTES:**
 CERTIFICATE No: Bosef0505ATEX0237X
 CODING: Ex II 2GD EEx eqm II T4
 -20C TO +40C
 TERMINALS : UP TO 6MM SQ/3 CORES
 CABLE ENTRIES : THREE X 20mm ENTRIES ON TOP OF LUMINAIRE
 CONTROL GEAR: ELECTRONIC CONTROL GEAR
 INGRESS PROTECTION : IP65 TO EN60598-1:2000
 ENCLOSURE : WHITE POLYESTER PAINTED ZINC COATED
 STEEL BODY & FRAME
 DIFFUSER: CLEAR POLYCARBONATE
 REFLECTOR: WHITE POLYESTER PAINTED ZINC COATED STEEL
 GASKET: EPDM RUBBER
WEIGHT:
 4X18W - 16KG
 4X36W - 20KG

WITHOUT OUR PERMISSION THIS DRAWING, WHICH IS OUR
 COPYRIGHT, MAY NOT BE REPRODUCED OR MADE AVAILABLE
 TO THIRD PARTIES.
 AUTHORIZATION IS GIVEN TO
 TO REPRODUCE THIS DRAWING FOR INTERNAL PURPOSES ONLY.

DOC No.	MOD BY	MATERIAL	TOLERANCE	FINISH	DIMS. IN	SCALE	TITLE
		CHANGE		ZINC COATED STEEL	MM	-	Victor Lighting Po Box 5571, Glasgow G52 9AH Scotland Tel:0141 810 9644 Fax:0141 810 9642
				WHITE POLYESTER PAINTED			VL104C RECESSIBLE TYPE 4x18W & 4x36W VERSION MET CEILING TYPE