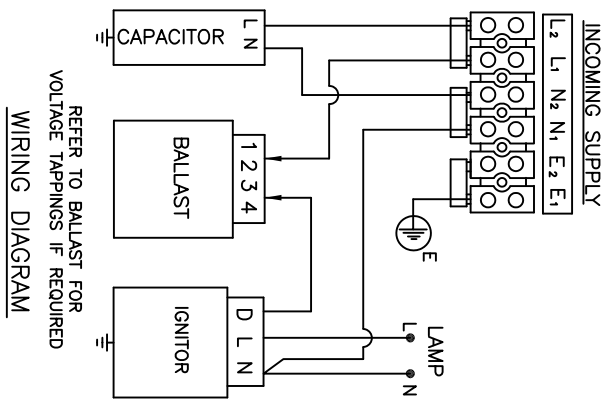
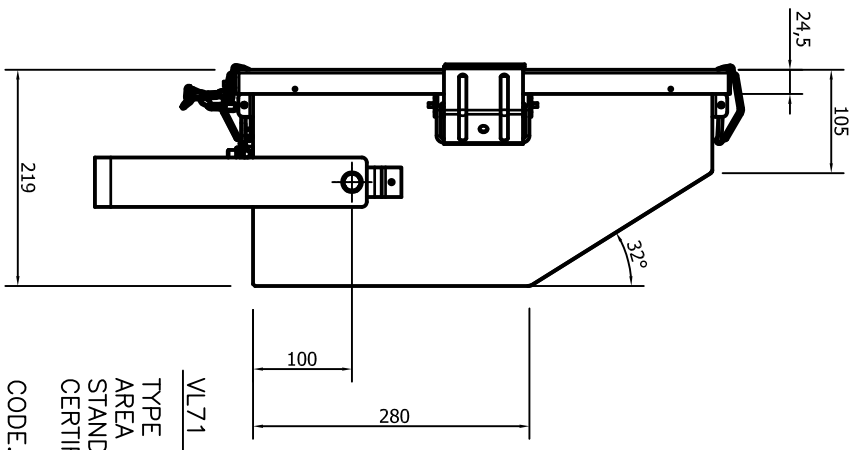
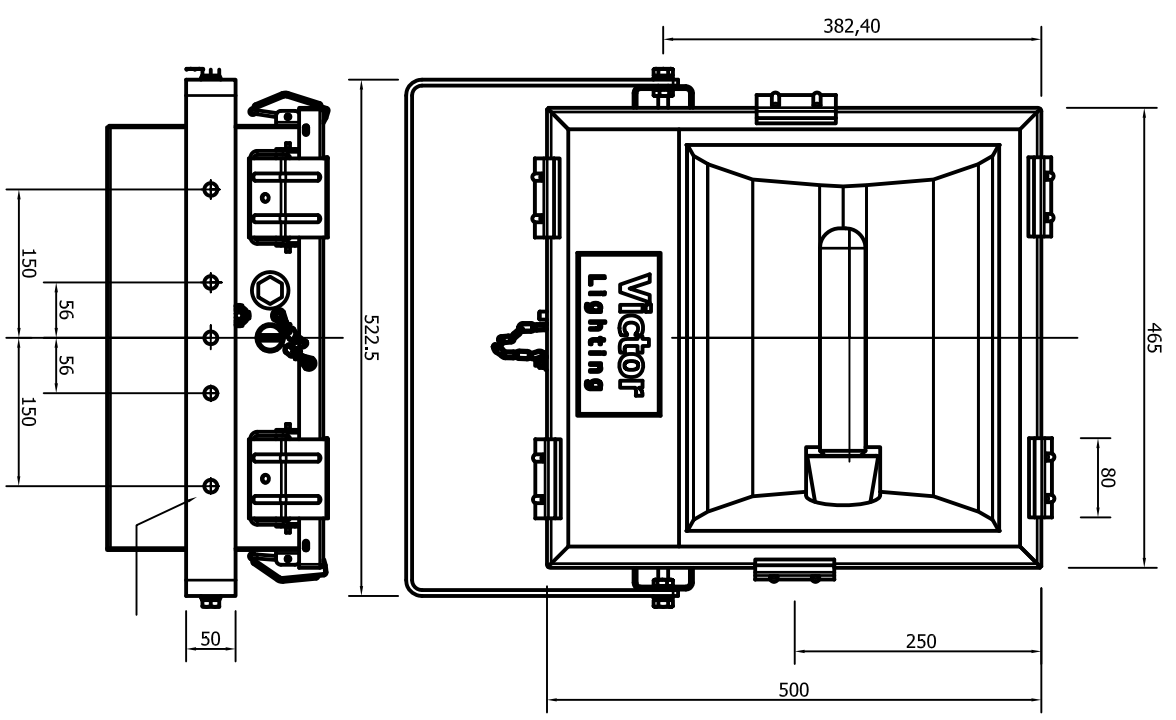


DRAWING NUMBER/SHEET NUMBER
H010992

REMOVE ALL BURRS & SHARP EDGES

IF IN DOUBT ASK!

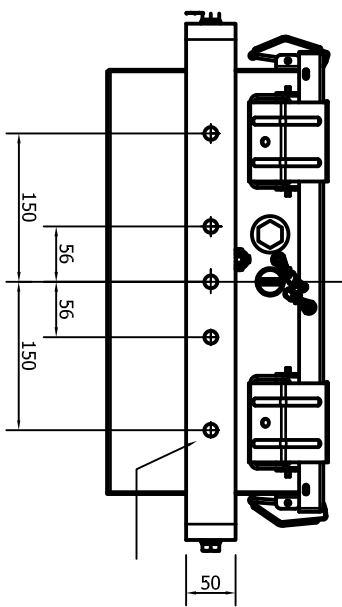
3RD ANGLE PROJECTION



VL71 Ex 'nR' TYPE LUMINAIRE

TYPE OF PROTECTION... Ex nR Non Sparking (Restricted Breathing) AREA CLASSIFICATION... ZONE 2 & 22 AREAS TO BS EN 60079-14 STANDARD... EN 50021 CERTIFICATE... Type Examination Certificate Baseefa07ATEX0119X

CODE... IECEx BAS070025X
 Ex II 3GD Ex n R II
 INGRESS PROTECTION... IP66/67 TO BS EN60529 (IEC 529)
 ENCLOSURE... STAINLESS STEEL. GRADE 316 S31
 SUPPLY VOLTAGE... 220-254V-50Hz
 CABLE ENTRIES... 2XM20
 INCOMING CABLE... UP TO 6mm² LOOPING



DRAWN	slice
CHECKED	slice
APPROVED	slice
DATE	14.04.08

MODEL	WATTAGE	LAMP	REFLECTOR	AMBIENT TEMP.	T RATING	WEIGHT
REGN/400/MS	400W	SON/T-MBI	WIDE BEAM	50°C	T3	21Kg

REF. DRGS.-	DATE	DESCRIPTION	BY	CHECKED	DATE	DESCRIPTION	BY	CHECKED

WITHOUT OUR PERMISSION THIS DRAWING, WHICH IS OUR COPYRIGHT, MAY NOT BE REPRODUCED OR MADE AVAILABLE TO THIRD PARTIES. AUTHORIZATION IS GIVEN TO REPRODUCE THIS DRAWING FOR INTERNAL PURPOSES ONLY.	FINISH	FINISH	SCALE	
	Material	Finish	-	

Victor Lighting

Victor Lighting
 Po Box 5571,
 Glasgow G52 9AH
 Scotland
 Tel:0141 810 9644 Fax:0141 810 9642

REGN/400/MS
 400W HPS /MBI
 STIRRUP MOUNTED
 DRAWING NUMBER/SHEET NUMBER
 H010992 1 DF 1