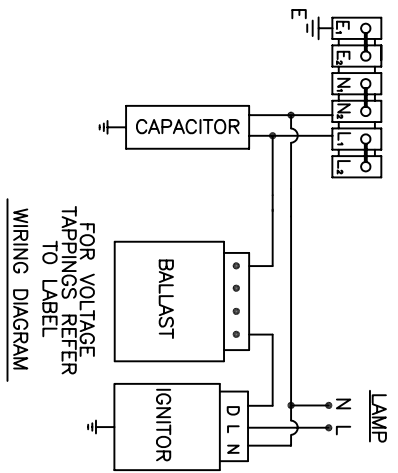


CAT NO.	WATTAGE	LAMP	LAMPHOLDER	AMBIENT TEMP.	T RATING	APPROX WEIGHT
MO2N/150/MS	150W	MBI/T	E40	-45 +55 °C	T4	11.0 KG

TYPE OF PROTECTION...EEx na R (NON SPARKING) (RESTRICTED BREATHING ENCLOSURE)
 AREA CLASSIFICATION...ZONE 2 AREAS TO BS EN 60079-14
 STANDARD...BS EN 60079-15
 CERTIFICATE...ATEX TYPE EXAMINATION SIRAO1ATEX4227
 CODE II 3GD EEx na R II T(SEE TABLE) Tamb(SEE TABLE)
 INGRESS PROTECTION...IP65 TO BS EN60529
 CONTROL GEAR...INTERNAL COPPER/IRON, IGNITOR
 INTERNAL PFC CAPACITOR
 VOLTAGE :230V- 50HZ
 TERMINATION:.....3 CORE- 6mm² CABLE AS STANDARD
 ENTRIES : 2X M20



DRAWN	Slee
CHECKED	
APPROVED	
DATE	08-03-2006

WITHOUT OUR PERMISSION THIS DRAWING, WHICH IS OUR COPYRIGHT, MAY NOT BE REPRODUCED OR MADE AVAILABLE TO THIRD PARTIES.
 AUTHORIZATION IS GIVEN TO
 TO REPRODUCE THIS DRAWING FOR INTERNAL PURPOSES ONLY.

QTY	NO	BY	MATERIAL	TOLERANCE	ISSUE	DATE
			CHANGE			
			ALUMINIUM PAINTED			
			Finish	SURFACE ROUGHNESS		

Victor Lighting

Victor Lighting
 368 Hillington Road,
 Glasgow G52 4BL,
 Scotland
 Tel:0141 810 9644 Fax:0141 810 9642

MO2N/150/MS
 150W MBI
 CEILING MOUNTED
 DRAWING NUMBER/SHEET NUMBER
 F2308 1 DF 1