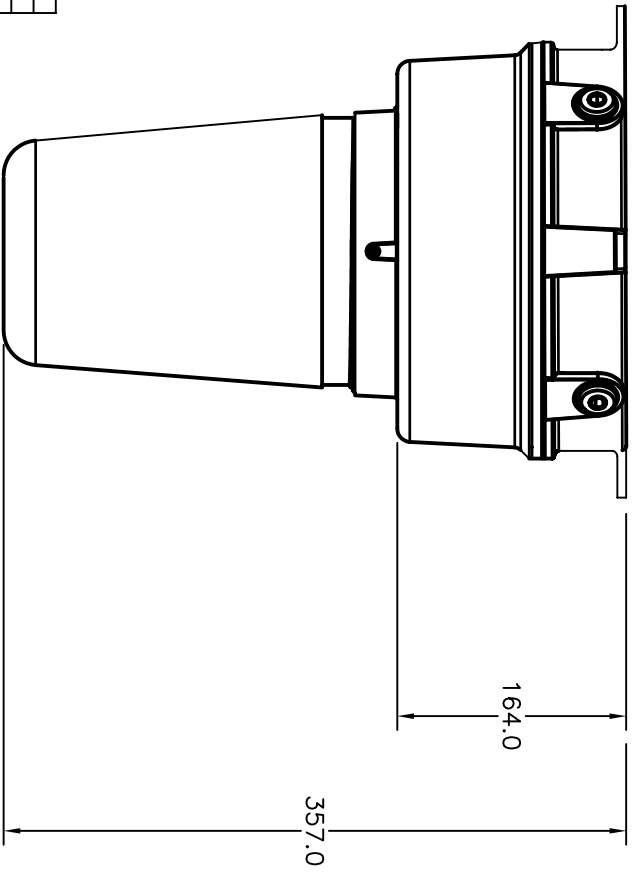
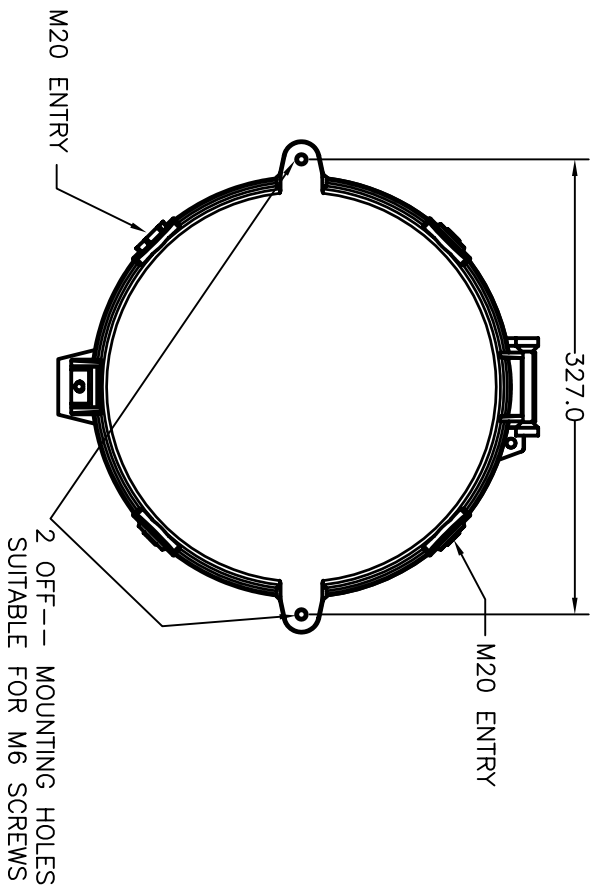


REMOVE ALL BURRS & SHARP EDGES

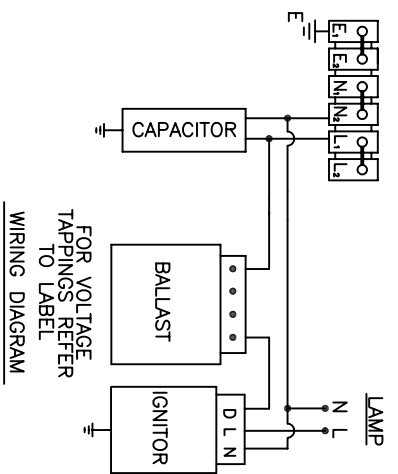
IF IN DOUBT ASK!

3RD ANGLE PROJECTION



CAT NO.	WATTAGE	LAMP	LAMPHOLDER	AMBIENT TEMP.	T RATING	APPROX WEIGHT
MO2N/070/MS	70W	HPS	E27	-45 C to +55 C	T4	8 KG

TYPE OF PROTECTION...EEx na R (NON SPARKING) (RESTRICTED BREATHING ENCLOSURE)
 AREA CLASSIFICATION.....ZONE 2 AREAS TO BS EN 60079-14
 STANDARD.....BS EN 60079-15
 CERTIFICATE.....ATEX TYPE EXAMINATION SIRAO1ATEX4227
 CODE II 3GD EEx na R II T(SEE TABLE) Tamb(SEE TABLE)
 INGRESS PROTECTION.....IP65 TO BS EN60529
 CONTROL GEAR.....INTERNAL COPPER/IRON, IGNITOR
 INTERNAL PFC CAPACITOR
 VOLTAGE :.....230V- 50Hz
 TERMINATION:.....3 CORE- 6mm² CABLE AS STANDARD
 ENTRIES :.....2X M20



DRAWN	Slee
CHECKED	
APPROVED	
DATE	

WITHOUT OUR PERMISSION THIS DRAWING, WHICH IS OUR COPYRIGHT, MAY NOT BE REPRODUCED OR MADE AVAILABLE TO THIRD PARTIES. AUTHORISATION IS GIVEN TO TO REPRODUCE THIS DRAWING FOR INTERNAL PURPOSES ONLY.	DM5. IN	MM	SCALE -	DRAWING NUMBER/SHEET NUMBER F2428 1 OF 1
DF No	MOD BY	MATERIAL	TOLERANCE	TITLE
		CHANGE	SURFACE ROUGHNESS	Victor Lighting 368 Hillington Road, Glasgow G52 4BL, Scotland Tel:0141 810 9644 Fax:0141 810 9642
		ALUMINIUM		MO2N/070/MS 70W HPS CEILING MOUNTED
		PAINTED		