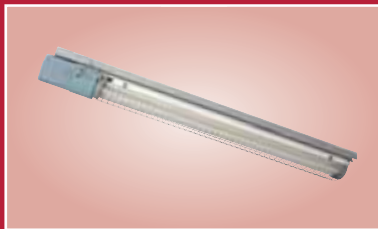


VISCOUNT® VL51A

End of Life
Protection



VL51 with wire guard

FEATURES AND BENEFITS

Cool running - suitable for high ambient areas • Standard uni-strut mounting • Efficient high frequency control gear

CERTIFICATION & APPROVALS

ATEX Certificate SIRA00ATEX1021X

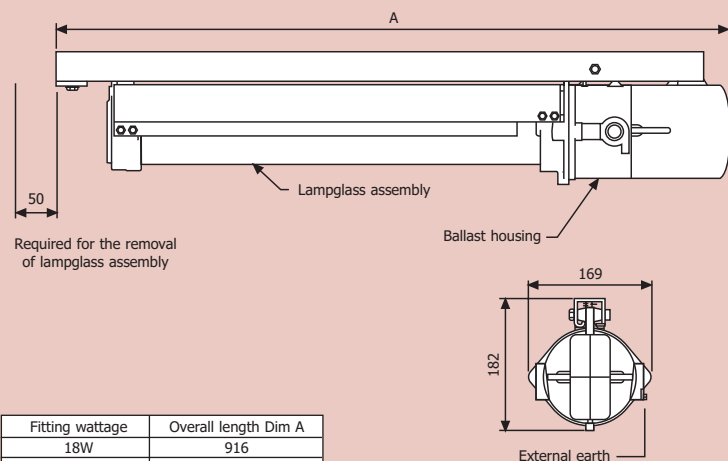
Ex II 2 GD Ex d IIB

Refer to ordering reference table
for T Class and ambient

Ingress protection to IP66, IP67
IP68 (on application)

GOST-R Approved
TIS Approved

DIMENSIONS



Dimensions in millimetres

ORDERING REFERENCE

Std. Cat Ref.	Wattage	Lamp Type	Lampholder	T Class	T °C(Dust)	Ambient °C
VISD/218/BI	2x18W	Bi-Pin	T8	T6	85	-20°C to +55°C
VISD/136/BI	1x36W	Bi-Pin	T8	T6	85	-20°C to +53°C
			T8	T5	100	-20°C to +55°C
VISD/236/BI	2x36W	Bi-Pin	T8	T6	85	-20°C to +53°C
			T8	T5	100	-20°C to +55°C
VISD/158/BI	1x58W	Bi-Pin	T8	T6	85	-20°C to +49°C
			T8	T5	100	-20°C to +55°C
VISD/258/BI	2x58W	Bi-Pin	T8	T6	85	-20°C to +49°C
			T8	T5	100	-20°C to +55°C

TECHNICAL SPECIFICATION

LAMP TYPES

T8, Ø26mm, G13 cap bi-pin fluorescent.
Available in the following configurations: 2 x 18W, 2 x 36W, 2 x 58W.

POWER SUPPLY

110V-254V, 50/60Hz AC/DC (2 x 18W)
220V-254V, 50/60Hz AC/DC (2 x 36W and 2 x 58W)
110V-130V, 50/60Hz AC/DC (2 x 36W)

POWER FACTOR

Greater than 0.95

TERMINALS

3 core up to 4 mm² conductors with looping.
Terminals for live constant, neutral & earth are provided.
Internally earthed, external earth terminal also as standard.

CABLE ENTRIES

Two M20 x 1.5 entries as Standard with an option for two M25 x 1.5 entries. Other cable entries available on request.
Supplied with 1 x transit plug and 1 x Ex blanking plug.
Cable entry devices (ie. glands) must maintain the IP rating for the luminaire.

TEMPERATURE

Refer to table above.

AMBIENT TEMPERATURE

Refer to table above.

MATERIALS

Main body LM6 aluminium alloy.
Lampglass Borosilicate glass overtube.
Reflector Stainless steel.

WEIGHT

2 x 18W Lamps - 9Kg 1 x 36W Lamp - 13Kg
2 x 36W Lamps - 13Kg 1 x 58W Lamp - 15Kg
2 x 58W Lamps - 15Kg

SUSPENSION

Standard support channel supplied will accept Ø10mm fasteners with variable fixing points and compatible with existing cable support systems.

OPTIONS - SUFFIX TO CATALOGUE REF.

- /120 Specific voltage (110/130V) - 2 x 36W & 58W only
- /M25 M25 Entries
- /ZR Powder coated zintec reflector
- /3-4" NPT 3/4 inch NPT cable entry
- /IIC Suitable for IIC gas areas (18W only)

ACCESSORIES

Pole mount bracket (38-42mm)
SPOL4-100004

Pole mount bracket (48-52mm)
SPOL4-100005

Pole mount bracket (58-62mm)
SPOL4-100006

Ceiling mount bracket assembly
SEXCE-00001

Wall bracket
SEXCE-00009

Wire guard - 18W
SVISD-00008

Wire guard - 36W
SVISD-00009

Wire guard - 58W
SVISD-00010



To calculate photometric values for lighting design, please use the free Victor LiteGuide™ software package.
To request your copy, please contact your local Victor agent or download a copy from the website.
Design is subject to alteration without notice. Please refer to the website www.victor-lighting.com for the latest details.
All products are sold subject to our conditions of sale, available on request.

Viscount® is a registered trademark of Hubbell Ltd

Revision 4
June 2011