

VISCOOUNT® 8W



End of Life
Protection

3 Hour
Operation



Adhesive exit sign

FEATURES AND BENEFITS

Ideal for escape route and over-door illumination • Optional battery back-up • Maintained, non maintained or switched emergency operation

CERTIFICATION & APPROVALS

ATEX Certificate SIRA00ATEX1021X

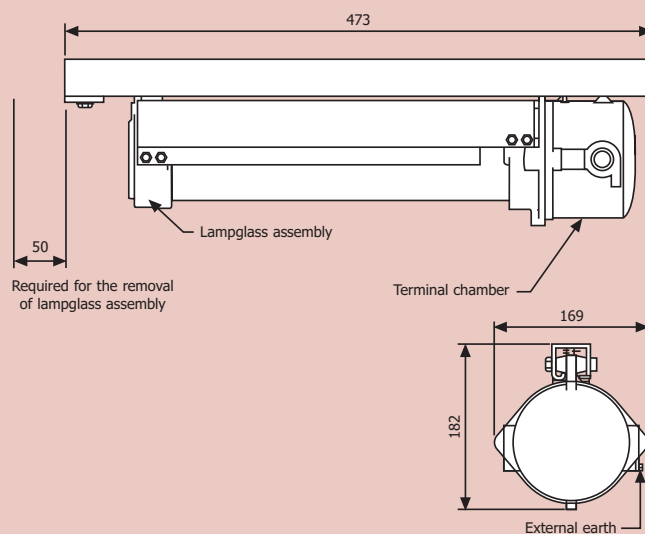
Ex II 2 GD Ex d IIB

Ex d IIB T6 (Ta = -20°C to +55°C)

Ingress protection to IP66, IP67
IP68 (on application)

GOST-R Approved
TIS Approved

DIMENSIONS



Dimensions in millimetres

ORDERING REFERENCE

Std. Cat Ref.	Wattage	Lamp Type	Lampholder	T Class	T °C(Dust)	Ambient °C
VISD/108/BI	1x8W	Bi-Pin	T5	T6	85	-20°C to +55°C
VISD/208/BI	2x8W	Bi-Pin	T5	T6	85	-20°C to +55°C
VISD/108/BI/EM*	1x8W	Bi-Pin	T5	T6	85	-20°C to +55°C

* Maintained as standard

TECHNICAL SPECIFICATION

LAMP TYPES

T5 Bi-pin fluorescent 8W.

POWER SUPPLY

220 - 254V 50/60Hz AC (non emergency)
220 - 240V 50/60Hz AC (emergency)

EMERGENCY OPERATION

3 hours duration at 25°C
30% of total light output.

BATTERY

2.4V 4Ah internal Ni-Cad.

POWER FACTOR

Greater than 0.95

TERMINALS

4 core up to 4 mm² conductors with looping. Terminals for live constant, live switched, neutral & earth are provided. Internally earthed, external earth terminal also as standard.

CABLE ENTRIES

Two M20 x 1.5 entries as Standard with an option for two M25 x 1.5 entries. Other cable entries available on request. Supplied with 1 x transit plug and 1 x Ex blanking plug. Cable entry devices (ie. glands) must maintain the IP rating for the luminaire.

TEMPERATURE

Gas environments: T6.
Dust environments: T85°C

AMBIENT TEMPERATURE

-20°C to +55°C

MATERIALS

Main body LM6 aluminium alloy.
Lampglass Borosilicate glass overtube.
Reflector Stainless steel.

WEIGHT

1 x 8W Lamp - 5kg
2 x 8W Lamp - 5kg
1 x 8W Lamp Emergency- 5.5kg

SUSPENSION

Standard support channel supplied will accept up to Ø12mm fasteners with variable fixing points and compatible with existing cable support systems.

OPTIONS - SUFFIX TO CATALOGUE REF.

/M25	M25 Entries
/NM	Non-maintained emergency version (1x8W emergency only)
/ZR	Powder coated zintec reflector
/3-4" NPT	3/4 inch NPT cable entry
/IIC	Suitable for IIC gas areas

ACCESSORIES

Pole mount bracket (38-42mm) SPOL4-100004
Pole mount bracket (48-52mm) SPOL4-100005
Pole mount bracket (58-62mm) SPOL4-100006
Ceiling mount bracket assembly SEXCE-00001
Wall bracket SEXCE-00009
Wire guard SVISD-00007
Exit sign chain hanging (no direction) SPATE-00005
Exit sign chain hanging (up arrow) SPATE-00006
Exit sign chain hanging (down arrow) SPATE-00007
Exit sign chain hanging (right arrow) SPATE-00008
Exit sign chain hanging (left arrow) SPATE-00009
Exit sign, rigid plastic, chain hanging (double sided arrow left & arrow right) SPATE-00011
Exit sign, adhesive (up, down, left and right) SPATE-00012