

# VANGUARD VL35 LED

90 Min  
Operation



VL35 with wire guard

## FEATURES AND BENEFITS

LED Bulkhead luminaire • Range of coloured LED's • Maintenance free (> 80,000 hours operation) • Emergency version available

## CERTIFICATION & APPROVALS

IEC Ex Certificate IECEx BAS.08.0038X  
ATEX Certificate Baseefa08ATEX0102X

Non Emergency:

Ex II 2 GD  
Ex e mb IIC T4 Gb  
Ex tb IIC T100°C Db

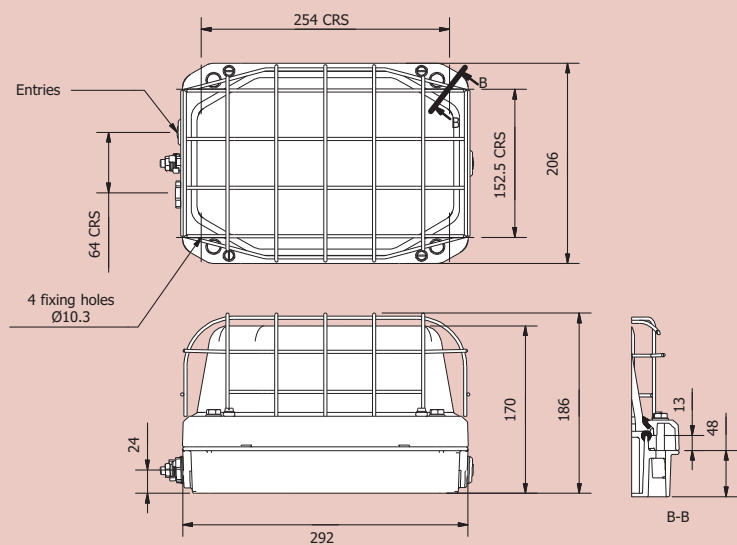
Emergency:

Ex II 2 GD  
Ex e ib mb IIC T4 Gb  
Ex tb IIC T100°C Db

Ambient temperature range:  
-45°C TO +55°C

Ingress protection to IP66 and IP67

## DIMENSIONS



Dimensions in millimetres

## ORDERING REFERENCE

Std. Cat Ref.	Wattage	Lamp Type	T Class	Ambient °C
VANE/801/LE	8 x 1W	White Light Emitting Diode (LED)	T4	-45°C to +55°C
VANE/801/LE/EM	8 x 1W	White Light Emitting Diode (LED)	T4	(-45°C*) -20°C to +55°C

\* Requires /LT suffix

## TECHNICAL SPECIFICATION

### LAMP TYPES

8 x 1W light emitting diodes (LED)

### POWER SUPPLY

110-254V, AC/DC 50/60 Hz.

### TERMINALS

4 core up to 4 mm<sup>2</sup> conductors with looping.

Through wiring facility as standard. Terminals for live constant, live switched (emergency version only), neutral & earth are provided.

External earth terminal as standard.

### CABLE ENTRIES

3 x M20 entries, two at one end & one at the other end.

Supplied with 1 x transit plug and 2 x Ex blanking plugs.

Cable entry devices (ie. glands) must maintain the IP rating for the luminaire.

### TEMPERATURE

Gas Environments - T4.  
Dust Environments - T100°C.

### AMBIENT TEMPERATURE RANGE

-45°C to +55°C (non-emergency).  
-20°C to +55°C (standard emergency).  
-45°C to +55°C (low temperature emergency).

### MATERIALS

**Main body** LM6 die cast aluminium, with epoxy paint finish.  
**Lampglass** Clear borosilicate (diffused pattern).  
**Gaskets** Silicone.  
**Wire guard** 10 SWG zinc plated wire epoxy powder coated.  
**External fasteners** Stainless steel.

### WEIGHT

Non-emergency - 5.9kg    Emergency - 6.8Kg.

### SUSPENSION

Four Ø10.3 fixing holes are provided.

### EMERGENCY OPERATION

90 minutes, 100% light output.

### BATTERY

4.8V 4 Ah internal Ni-Cad.

## OPTIONS - SUFFIX TO CATALOGUE REF.

/LT	Low temp -45°C to +55°C (Emergency version only)
/RDE	Red LED's
/GDE	Green LED's
/BDE	Blue LED's
/ADE	Amber LED's

## ACCESSORIES

Wireguard  
SVANE-00001

Wireguard with integrated bird spike  
SVANE-00008