

VANGUARD VL34 HELI-DECK

90 Min
Operation



VL34 with wire guard

FEATURES AND BENEFITS

Meets CAA (CAP 437) for helicopter landing area lighting • Maintenance free (> 80,000 hours operation) • Emergency version available

CERTIFICATION & APPROVALS

IEC Ex Certificate IECEx BAS.08.0038X
ATEX Certificate Baseefa08ATEX0102X

Non Emergency:

Ex II 2 GD
Ex e mb IIC T4 Gb
Ex tb IIC T100°C Db

Emergency:

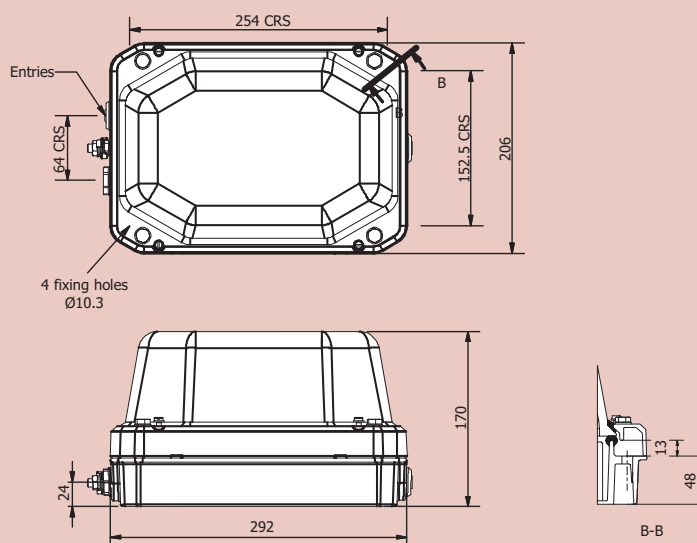
Ex II 2 GD
Ex e ib mb IIC T4 Gb
Ex tb IIC T100°C Db

Ambient temperature range:
-45°C TO +55°C

Ingress protection to IP66 and IP67

Meets current CAA (CAP 437)
and ICAO guidelines for
helicopter landing area lighting

DIMENSIONS



Dimensions in millimetres

