

VANGUARD VL20I



FEATURES AND BENEFITS

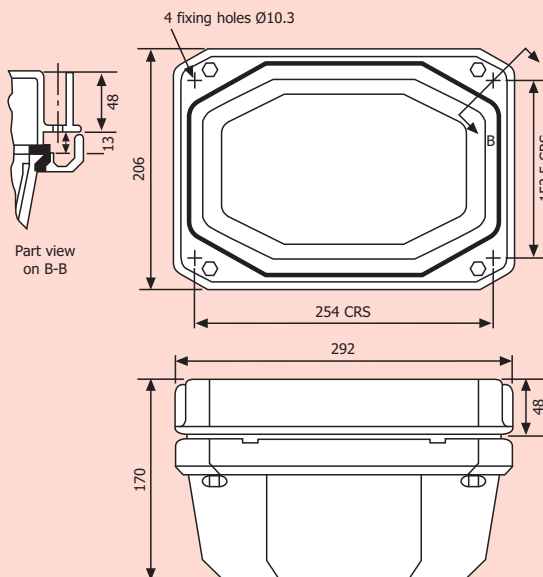
Easily installed and maintained • LM6 aluminium construction • Range of lamp types

CERTIFICATION & APPROVALS

Ingress protection IP66 and IP67
to EN60529

Designed & manufactured
to EN60598-1

DIMENSIONS



Dimensions in millimetres

ORDERING REFERENCE

Std. Cat Ref.	Wattage	Lamp Type	Lampholder
VANI/070/MS	70W	HPS/Metal Halide	E27
VANI/080/MV	80W	Mercury Vapour	E27
VANI/150/GL	150W	GLS	E27

TECHNICAL SPECIFICATION

LAMP TYPES

SON - 70W
MH - 70W
MBF - 80W
GLS - 150W (max).

POWER SUPPLY

HID: 220V / 230V / 240V / 254V 50Hz (60Hz option).
GLS: 250V (max).

POWER FACTOR

Better than 0.85

TERMINALS

3 core up to 4 mm² conductors with looping. Through wiring facility as standard. Terminals for live constant, neutral & earth are provided. External earth terminal as an option.

CABLE ENTRIES

Side entry luminaire, 3 x M20 cable entries.
Supplied with 1 x transit plug and 2 x blanking plugs.
Cable entry devices (i.e. glands) must maintain the IP rating of the luminaire.

MATERIALS

Main Body LM6 die cast aluminium, with epoxy paint finish.
Lampglass Borosilicate (diffused pattern).
Gasket Silicone
External Fasteners Stainless steel.

WEIGHT

Discharge lamp versions - 6.5Kg.
GLS version - 4.85Kg.

SUSPENSION

Four Ø10.3mm fixing holes are provided outside gasket to ensure the IP rating.

The luminaire may be mounted in any orientation, the lampholder should be at the bottom when the lamp is mounted vertically.

OPTIONS - SUFFIX TO CATALOGUE REF.

/60 60Hz

ACCESSORIES

Wire guard
SVANE-00001