

# RECESSIBLE VL77I



Single screw height adjustment



Adjust to ensure ceiling integrity

## FEATURES AND BENEFITS

Suitable for M300 and plasterboard ceilings • Automatic lamp de-energisation on opening • Resistant to voltage fluctuations

## CERTIFICATION & APPROVALS

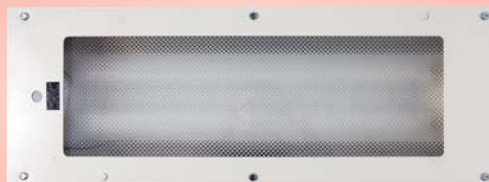
Ingress protection IP54  
to EN60529

Designed & manufactured  
to EN60598-1

**SOLAS** B15 Fire rated



Standard Clear Diffuser



Prismatic Diffuser (/PD)



Low Glare Louvre (/LG)

## TECHNICAL SPECIFICATION

### LAMP TYPES

18W & 36W bi-pin fluorescent (T8)

### POWER SUPPLY

120-254V 50/60Hz AC, 175-270V DC

### TERMINALS

3 core up to 4 mm<sup>2</sup> conductors with looping. Through wiring facility as standard. Terminals for live constant, neutral & earth are provided. External earth terminal as standard.

### CABLE ENTRIES

4 x 20mm entries, two at each end (not suitable for looping both ends).

Supplied with 1 x transit plug and 3 x blanking plugs.

Cable entry devices (i.e. glands) must maintain the IP rating for the luminaire.

### MATERIALS

**Enclosure** White polyester painted zinc coated steel body & frame.  
**Diffuser** Clear polycarbonate.  
**Reflector** White polyester painted zinc coated steel.  
**Gasket** Neoprene rubber.

### WEIGHT

2 x 18W - 6Kg.  
 2 x 36W - 11Kg.

### SUSPENSION

Standard mounting is fixed side brackets with swing out arms, with provision for drop rod mounting.

## ORDERING REFERENCE

Std. Cat Ref.	Wattage	Lamp Type
V771/218/BI	2x18W	Bi-Pin
V771/236/BI	2x36W	Bi-Pin

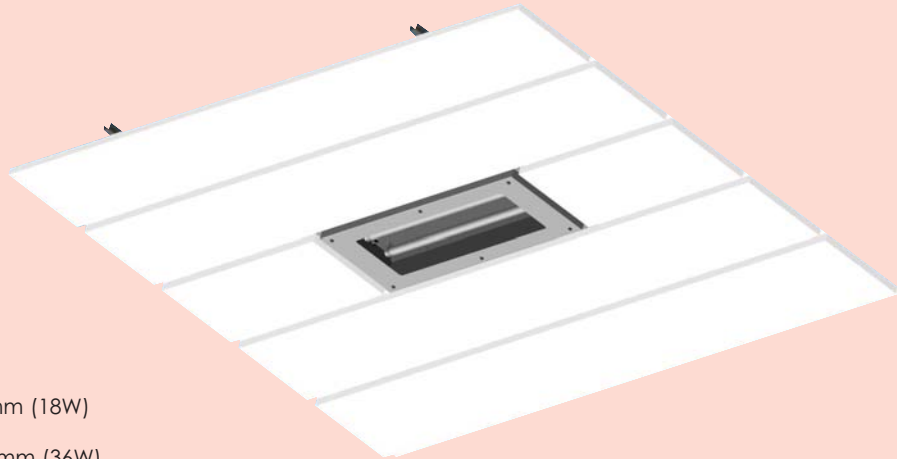
## ACCESSORIES

There are no accessories for this product.

## OPTIONS - SUFFIX TO CATALOGUE REF.

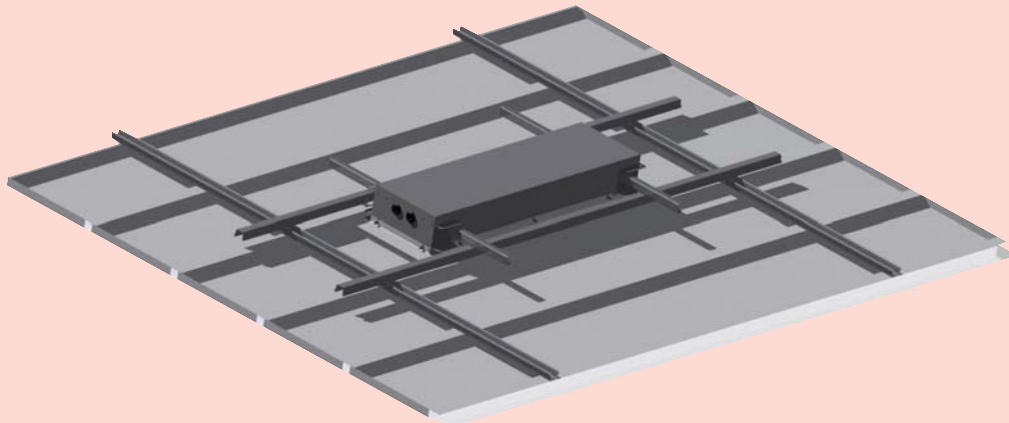
/MF	Mains fuse
/25	25mm Entries
/LG	Low glare louvre
/PD	Prismatic diffuser
/PC	Plasterboard (solid) ceiling
/EL	Extra live
/SC	Screwed connection terminal block (6mm <sup>2</sup> conductors)
/DIM	Analogue dimming

# M300 PLANK CEILING TYPES



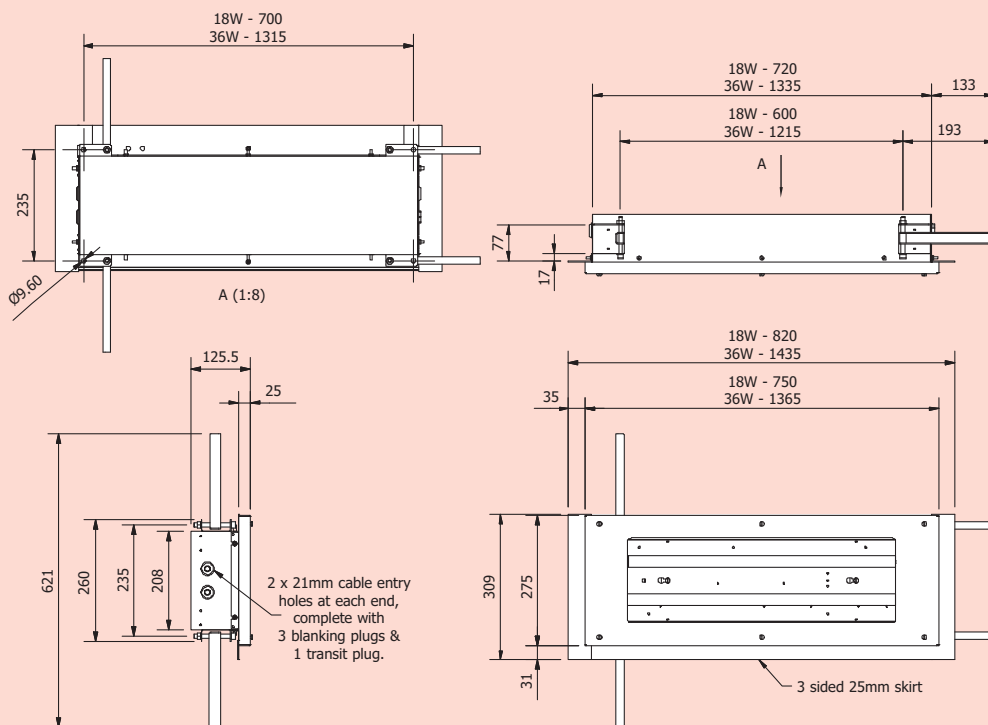
Typical aperture:  
 Tile length x 800mm (18W)  
 Tile length x 1315mm (36W)

View of plank ceiling with recessed luminaire



Typical 275 x 25mm tile mounting system

## DIMENSIONS



Dimensions in millimetres

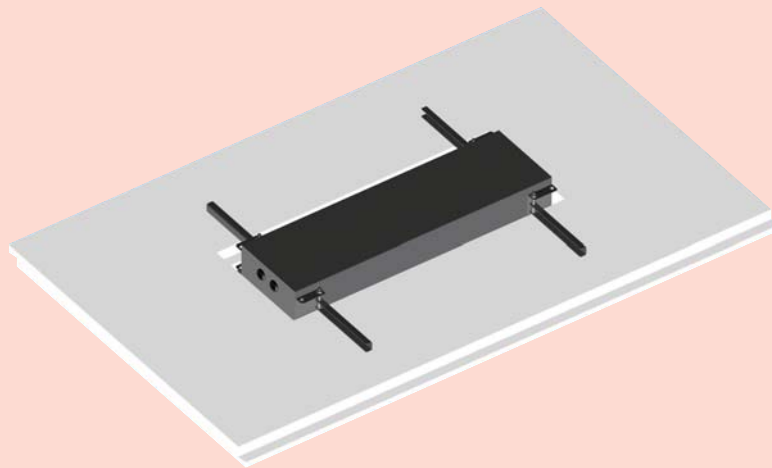


Typical aperture:

(18W) : 300mm x 745mm (+/-5mm)

(36W) : 300mm x 1360mm (+/- 5mm)

View of solid ceiling with recessed luminaire



Typical solid ceiling/panel mounting system

## DIMENSIONS

