

VL64 EQUAL PLUS



VL64 with wire guard



VL64 with anti-glare shield

FEATURES AND BENEFITS

Excellent photometric output • Integral control gear • Use with twin-arc tube lamps for >55,000 hours operation

CERTIFICATION & APPROVALS

IEC Ex Certificate IECEx BAS 07.0052
ATEX Certificate Baseefa058ATEX0228

Ex II 2 GD Ex de IIB T*

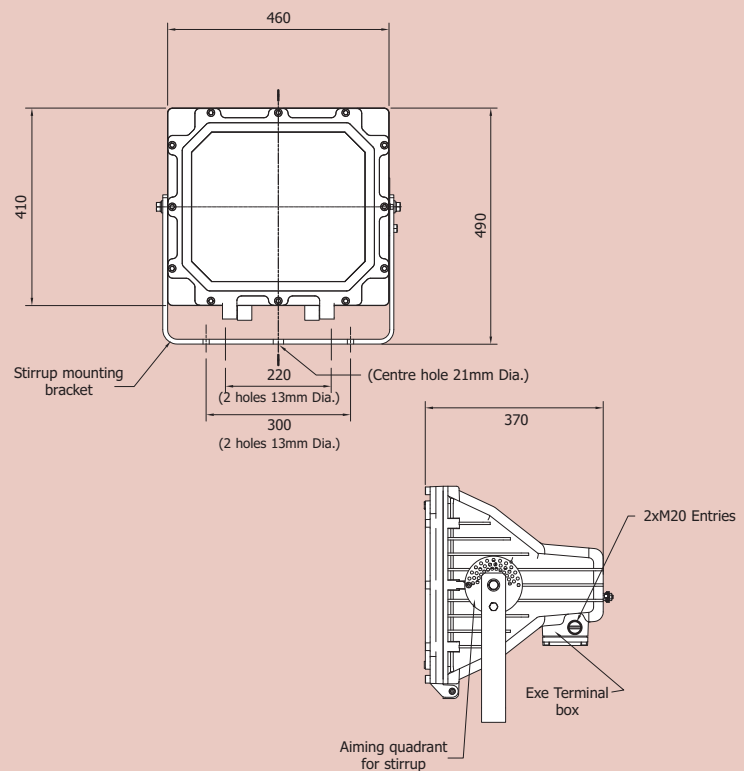
Ambient temperature range:
 $-20^{\circ}\text{C} \leq T_{\text{amb}} \leq +^{\circ}\text{C}$

Ingress protection to IP66 and IP67

GOST-R Approved
TIS Approved

* Refer to matrix for lamp,
'T' rating.

DIMENSIONS



Dimensions in millimetres

ORDERING REFERENCE

Std. Cat Ref.	Wattage	Lamp Type	Lampholder	T Class	T °C(Dust)	Ambient °C
64ED/150/MS	150W	HPS & Metal Halide	E40	T4	128	-20°C to +70°C
64ED/250/MS	250W	HPS & Metal Halide	E40	T3	145	-20°C to +70°C
			E40	T4	128	-20°C to +55°C
64ED/400/MS	400W	HPS & Metal Halide	E40	T3	175	-20°C to +55°C
64ED/500/TH	500W	Tungsten Halogen	E40	T3	175	-20°C to +55°C

TECHNICAL SPECIFICATION

LAMP TYPES

SON/T - 150W, 200W, 400W
 MBI-T - 150W, 200W, 400W
 MBFU - 250W and 400W
 Tungsten Halogen 500W

POWER SUPPLY

220V, 230V, 240V or 254V 50Hz Available via a multitapped ballast.
 All luminaires factory set to 240V 50Hz. 60Hz versions also available.

POWER FACTOR

Better than 0.85

TERMINALS

3 core up to 6 mm² conductors with looping.
 Terminals for live, neutral & earth are provided. Internally earthed, external earth terminal as standard.

CABLE ENTRIES

Two entry terminal box with M20 x 1.5 tapping, other entries available on request.

Supplied with 1 x transit plug and 1 x Ex blanking plug.

Cable entry devices (ie. glands) must maintain the IP rating for the luminaire.

MATERIALS

Main Body LM6 aluminium with epoxy paint finish as standard.
Lampglass Toughened soda lime glass plate.
External fasteners Stainless steel.

WEIGHT

Discharge lamp versions - 31.0Kg.
 Tungsten halogen lamp versions - 26.0Kg

SUSPENSION

Stirrup bracket pre-drilled with 2 holes 13mm diameter.
 Complete with locking and aiming quadrant.

BEAM PATTERNS

Narrow or wide beam patterns available.

OPTIONS - SUFFIX TO CATALOGUE REF.

/60 60Hz
/M25 M25 Entries
/N Narrow beam reflector
/IEC Supplied complete with IEC Ex certification label

ACCESSORIES

Pole mount bracket
 S6428-0001

Anti-glare shield (cannot be used with wire guard)
 S6428-0002

Wire guard (cannot be used with anti-glare shield)
 S6428-0003

Combined Anti-glare shield and wire guard
 S6428-0004