

RECESSIBLE VL104 Em



End of Life
Protection

90 Min
Operation

3 Hour
Operation

FEATURES AND BENEFITS

Back up battery for emergency operation • Suitable for modular ceiling types • Battery management technology

CERTIFICATION & APPROVALS

ATEX Certificate Baseefa05ATEX0237X

Ⓔ II 2 GD Ex eqm II T4

Ambient temperature range:
-20°C to +40°C

Ingress protection to IP65

GOST-R Approved

SOLAS B15 Fire rated



/LG - Low glare louvre

TECHNICAL SPECIFICATION

LAMP TYPES

18W & 36W bi-pin fluorescent (T8)
Available in the following configurations: 2 x 18W, 2 x 36W,
4 x 18W & 4 x 36W.

POWER SUPPLY

220-254V AC/DC.

EMERGENCY OPERATION

90 minutes to EN60598-2-22 3 hour option (/3H).
50% of one lamp (18W).
25% of one lamp (36W).

BATTERY

6V, 4Ah Internal Ni-Cad.

TERMINALS

4 core up to 4 mm² conductors with looping.

Through wiring facility as standard.

Terminals for live constant, live switched, neutral & earth are provided. External earth terminal.

CABLE ENTRIES

4 x 20mm holes located on the rear panel, two at one end, one at the other end. Supplied with 1 x transit plug and 3 x Ex blanking plugs.

Cable entry devices (ie. glands) must maintain the IP rating for the luminaire.

TEMPERATURE

Gas Environments - T4.
Dust Environments - T70°C.

AMBIENT TEMP RANGE

-20°C to +40°C.

MATERIALS

Enclosure White polyester painted zinc coated steel body & aluminium frame.
Diffuser Clear polycarbonate with prismatic diffuser.
Reflector White polyester painted zinc coated steel.
Gasket EPDM rubber.
External Fasteners Stainless steel

WEIGHT

2 x 18W - 14.5Kg 4 x 18W - 18.0Kg
2 x 36W - 18.0Kg 4 x 36W - 22.0Kg

SUSPENSION

Standard mounting is fixed cantilever side brackets, there is also a provision for drop rod mounting.

ORDERING REFERENCE

Std. Cat Ref.	Wattage	Lamp Type
104E/218/BI/EM*	2x18W	Bi-Pin
104E/418/BI/EM	4x18W	Bi-Pin
104E/236/BI/EM*	2x36W	Bi-Pin
104E/436/BI/EM	4x36W	Bi-Pin

* Only available in 600mm x 600mm (2 x 18W) and 600mm x 1200mm (2 x 36W) body

The standard VL104 is supplied with a 3mm clear outer panel and prismatic diffuser.

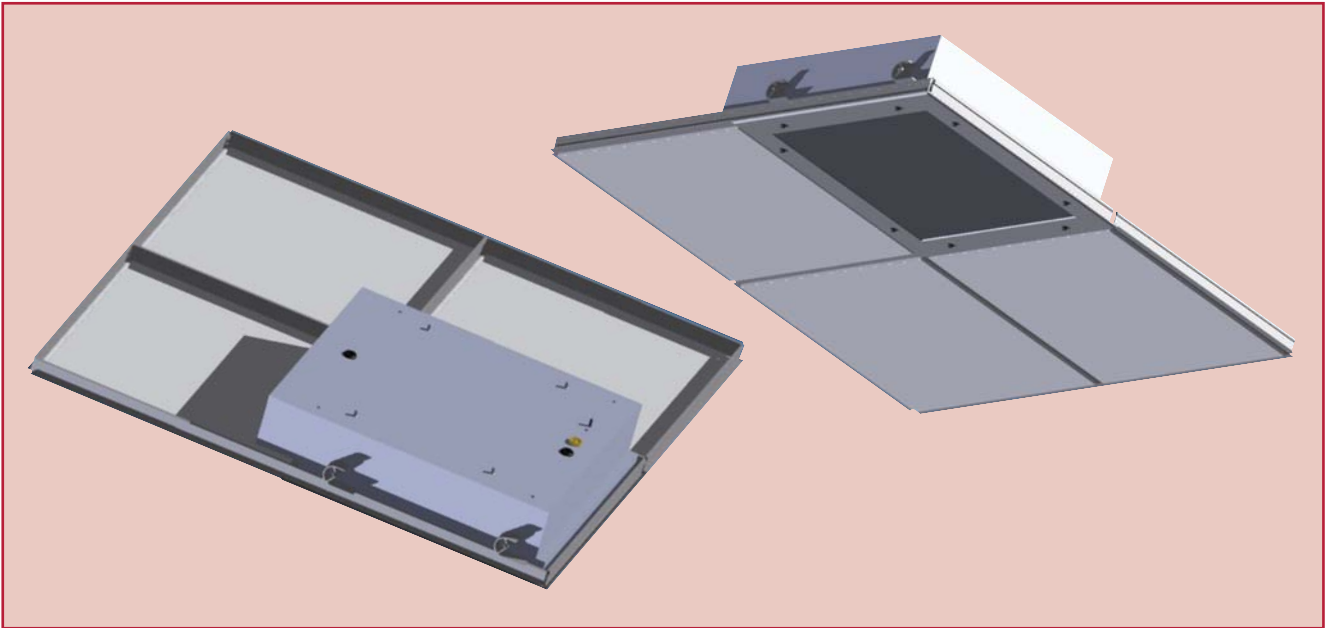
ACCESSORIES

There are no accessories for this product

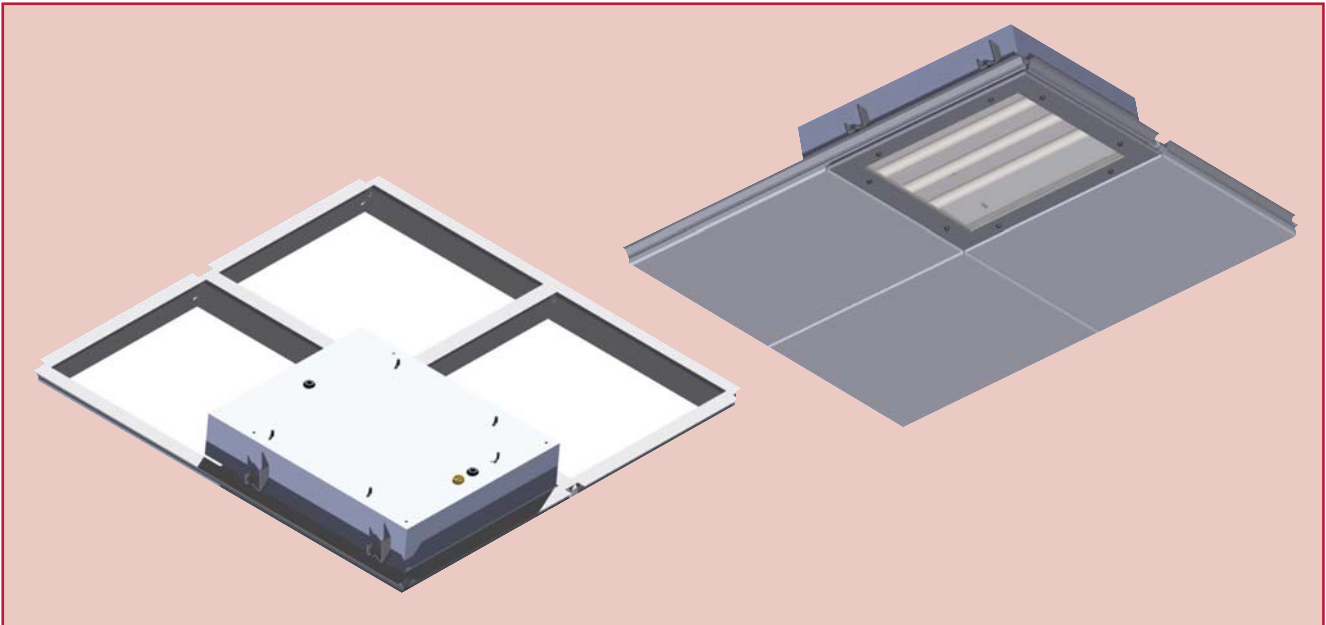
OPTIONS - SUFFIX TO CATALOGUE REF.

/MET	Modular - Exposed "T" ceiling
/MST	Modular - Spring "T" ceiling
/120	Specific voltage (110/130V)
/25	25mm Entries
/LG	Low glare louvre
/3H	3 hour battery duration (Light output - 30% 18W, 25% 36W)
/HEO	High emergency output (36W only, 90 min duration - 45% of emergency lamp)
/NST	High frequency non self testing ballast (recommended for sleeping quarters)
/SC	Screwed connection terminal block (6mm ² conductors)
/2L	Two lamp emergency operation

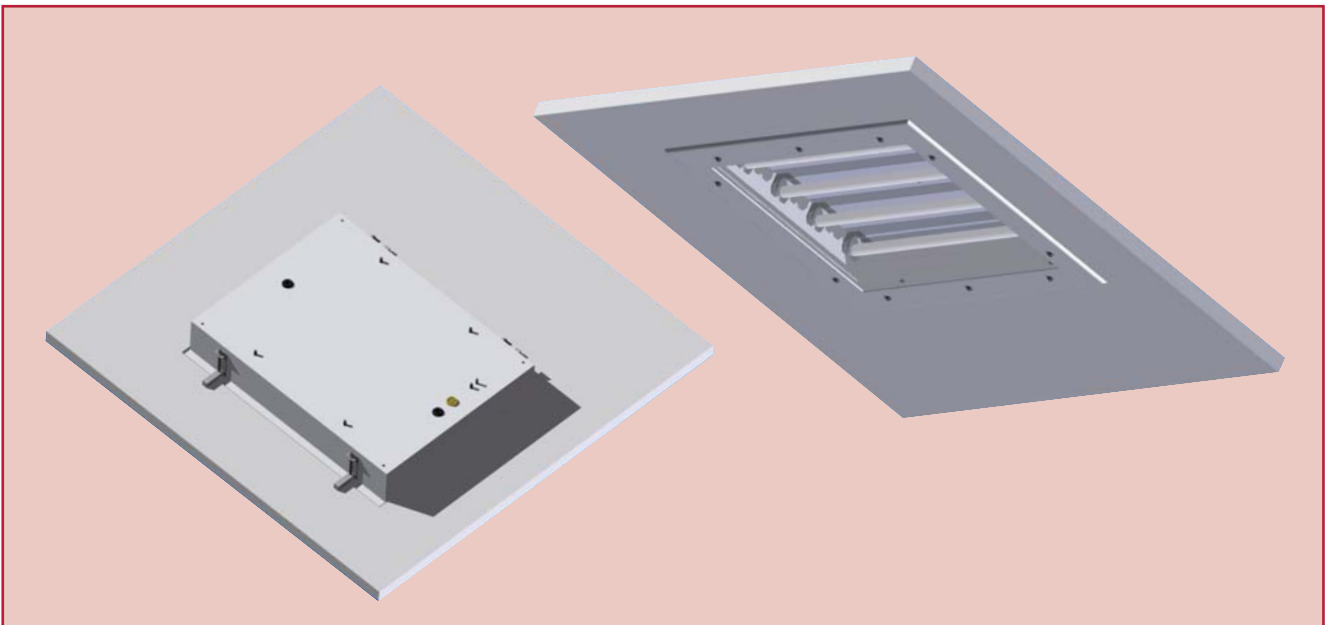
CEILING TYPE OPTIONS



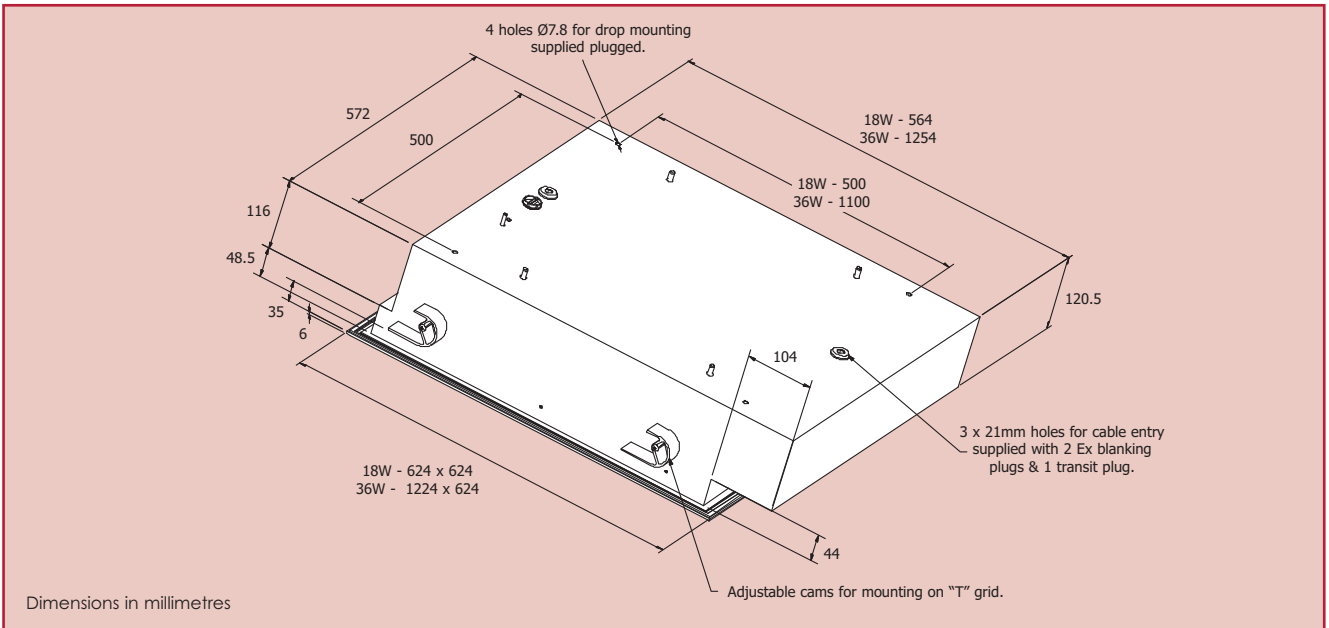
View of Exposed "T" Ceiling with recessed luminaire, typical 600mm x 600mm tile grid mounting system (/MET).



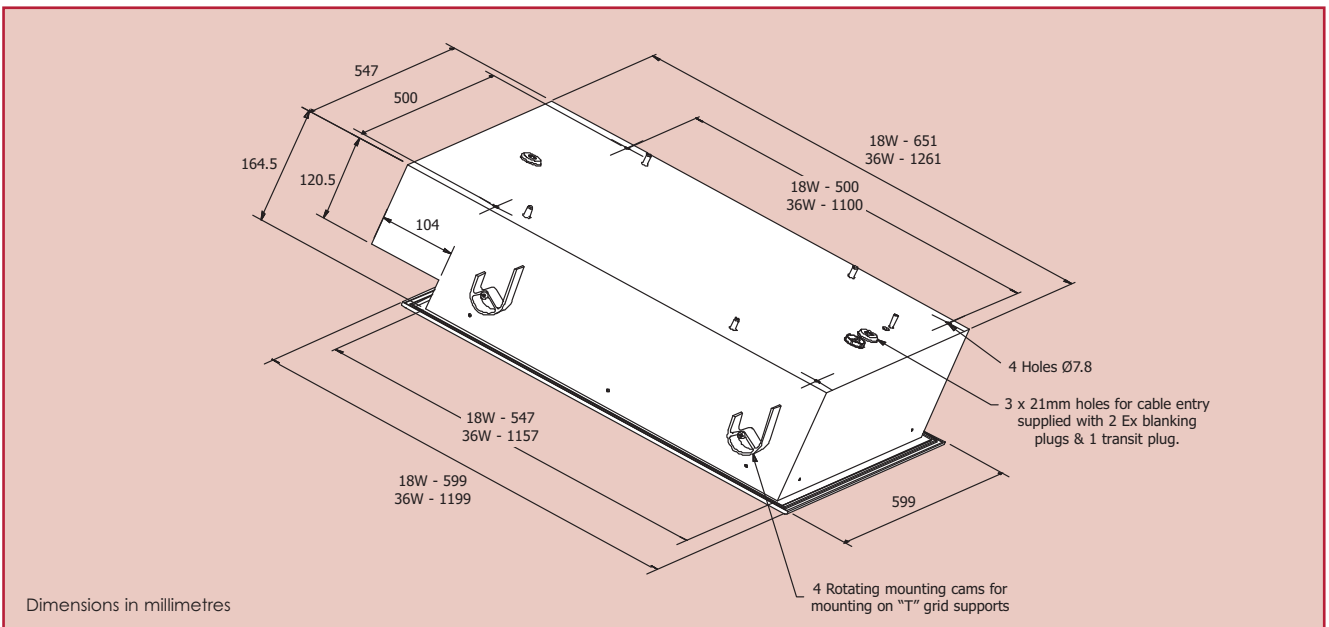
View of Spring "T" Ceiling with recessed luminaire, typical 600mm x 600mm tile grid mounting system (/MST).



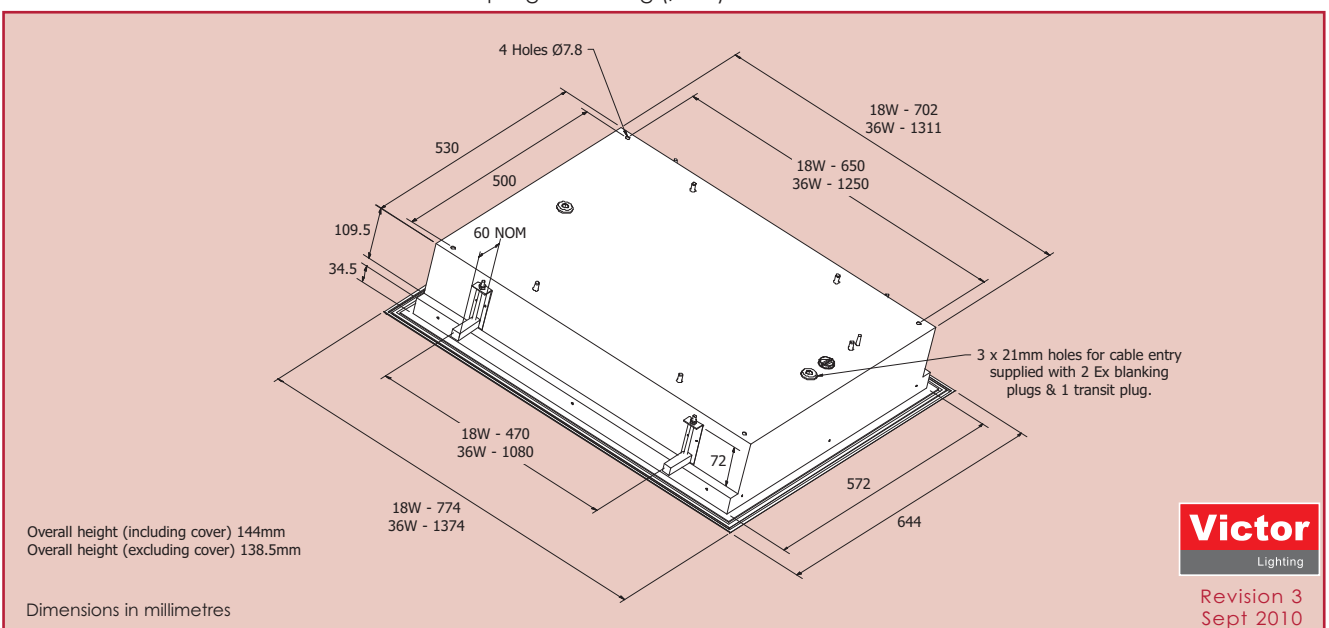
View of Solid Ceiling with recessed luminaire.



Exposed "T" Ceiling (/MET) dimensions.



Spring "T" Ceiling (/MST) dimensions.



Solid Ceiling dimensions.