

RECESSIBLE VL104C



End of Life
Protection

FEATURES AND BENEFITS

Suitable for modular ceiling types • Simple and easy access for re-lamping • Automatic lamp de-energisation upon opening

CERTIFICATION & APPROVALS

ATEX Certificate Baseefa05ATEX0237X

Ex II 2 GD Ex eqm II T4

Ambient temperature range:
-20°C to +40°C

Ingress protection to IP65

GOST-R Approved

SOLAS B15 Fire rated



/LG - Low glare louvre

TECHNICAL SPECIFICATION

LAMP TYPES

18W & 36W bi-pin fluorescent (T8)
Available in the following configurations: 2 x 18W, 2 x 36W,
4 x 18W, 4 x 36W.

POWER SUPPLY

220-254V AC/DC.
220-300V DC 50-60Hz.

TERMINALS

3 core up to 4 mm² conductors with looping.
Through wiring facility as standard. Terminals for live constant,
neutral & earth are provided.
External earth terminal.

CABLE ENTRIES

3 x 20mm holes located on the rear panel, two at one end, one
at the other end. Supplied with 1 x transit plug and 2 x Ex
blanking plugs.

Cable entry devices (ie. glands) must maintain the IP rating for
the luminaire.

TEMPERATURE

Gas Environments - T4.
Dust Environments - T70°C.

AMBIENT TEMPERATURE RANGE

-20°C to +40°C.

MATERIALS

Enclosure White polyester painted zinc coated steel body
& aluminium frame.
Diffuser Clear polycarbonate with prismatic diffuser.
Reflector White polyester painted zinc coated steel.
Gasket EPDM rubber.

WEIGHT

2 x 18W - 12.5Kg.
2 x 36W - 16.0Kg.
4 x 18W - 16.0Kg.
4 x 36W - 20.0Kg.

SUSPENSION

Standard mounting is fixed cantilever side brackets, there is also
a provision for drop rod mounting.

**For details of appropriate ceiling types and dimensions
see pages 30 and 31.**

ORDERING REFERENCE

Std. Cat Ref.	Wattage	Lamp Type
104E/218/BI*	2x18W	Bi-Pin
104E/418/BI	4x18W	Bi-Pin
104E/236/BI*	2x36W	Bi-Pin
104E/436/BI	4x36W	Bi-Pin

* Only available in 600mm x 600mm (2 x 18W) and
600mm x 1200mm (2 x 36W) body.

The standard VL104 is supplied with a 3mm clear outer panel
and prismatic diffuser.

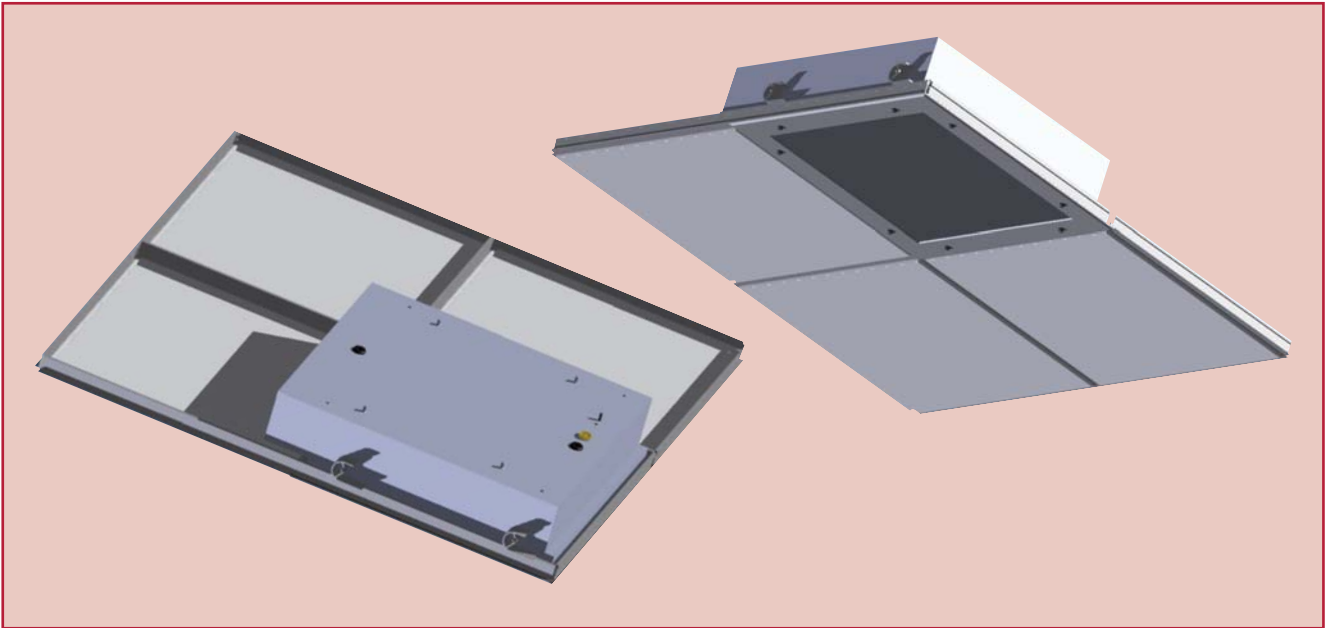
ACCESSORIES

There are no accessories for this product

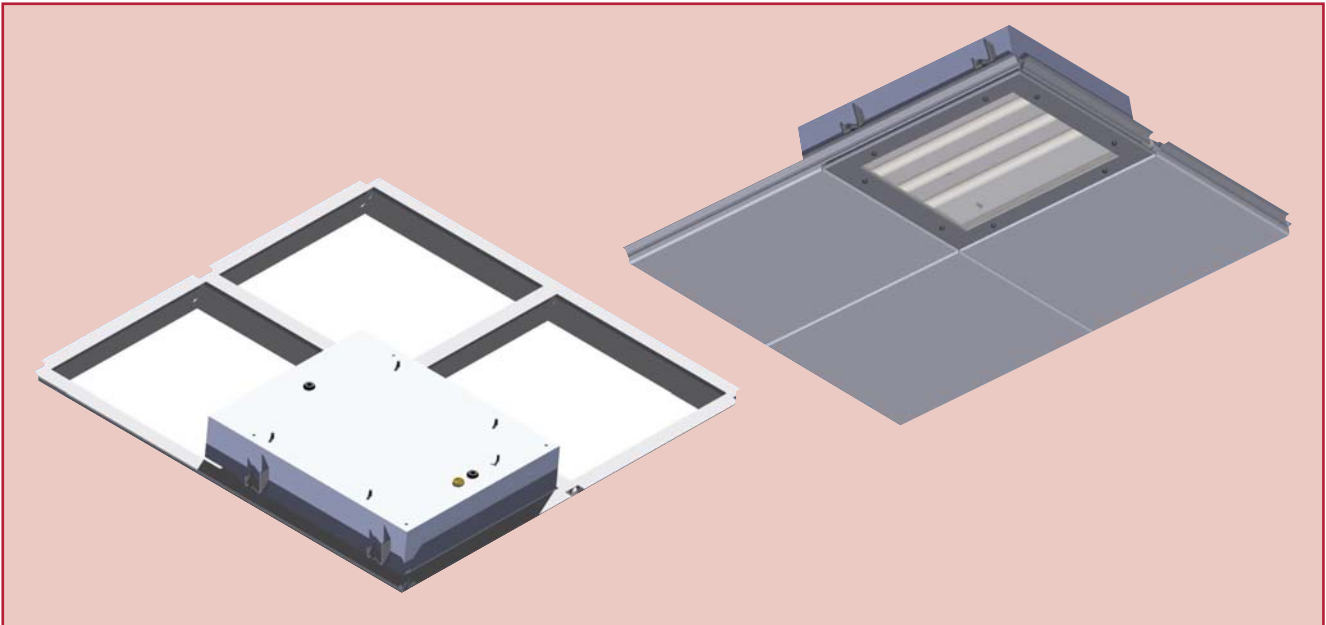
OPTIONS - SUFFIX TO CATALOGUE REF.

/MET	Modular - Exposed "T" ceiling
/MST	Modular - Spring "T" ceiling
/120	Specific voltage (110/130V)
/25	25mm Entries
/EL	Extra live termination facility (compatible with 4-core switched emergency circuits)
/LG	Low glare louvre
/SC	Screwed connection terminal block (6mm ² conductors)

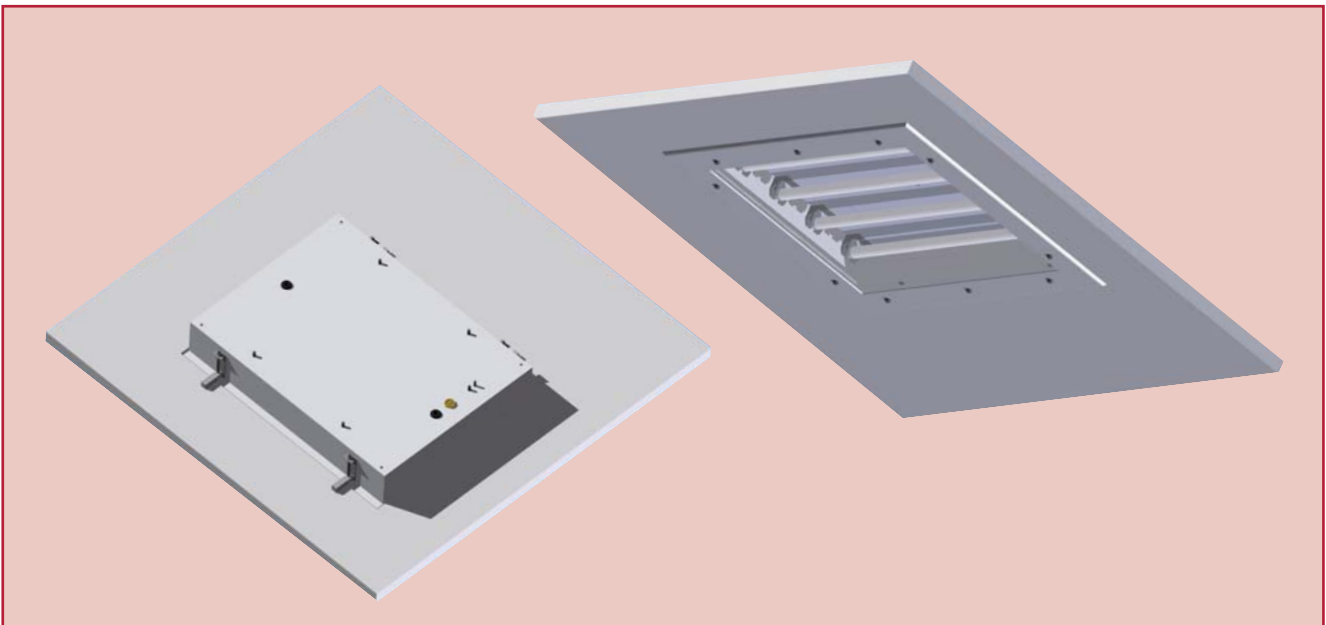
CEILING TYPE OPTIONS



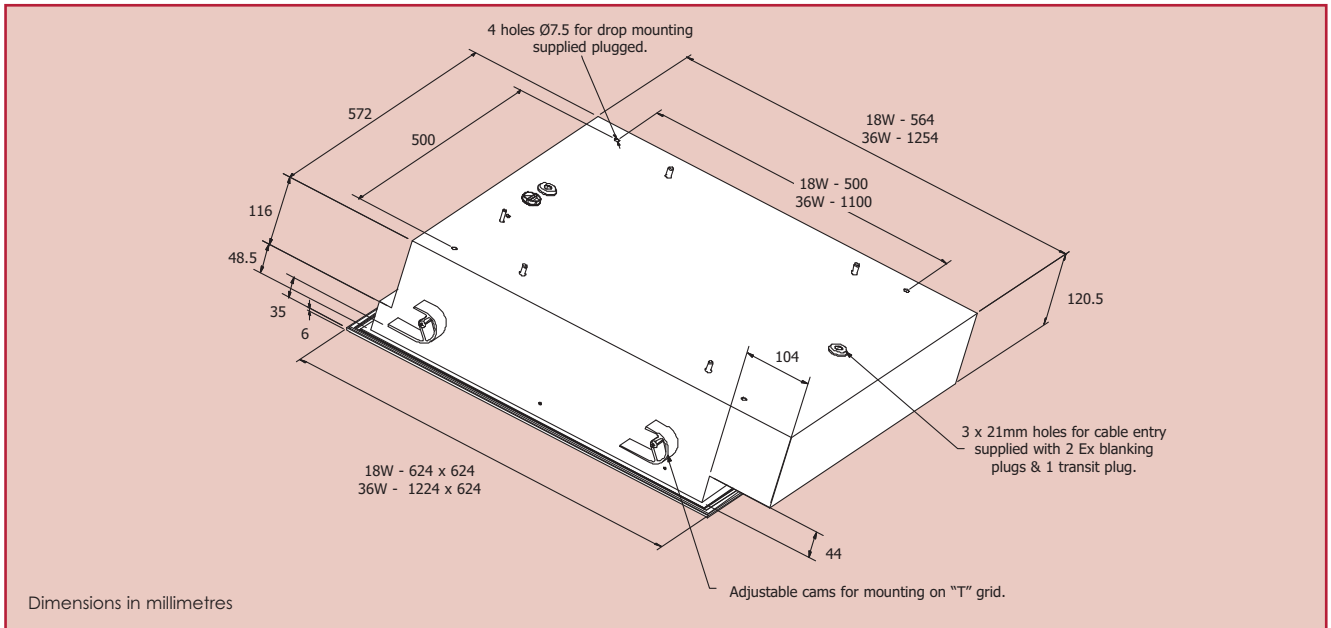
View of Exposed "T" Ceiling with recessed luminaire, typical 600mm x 600mm tile grid mounting system (/MET).



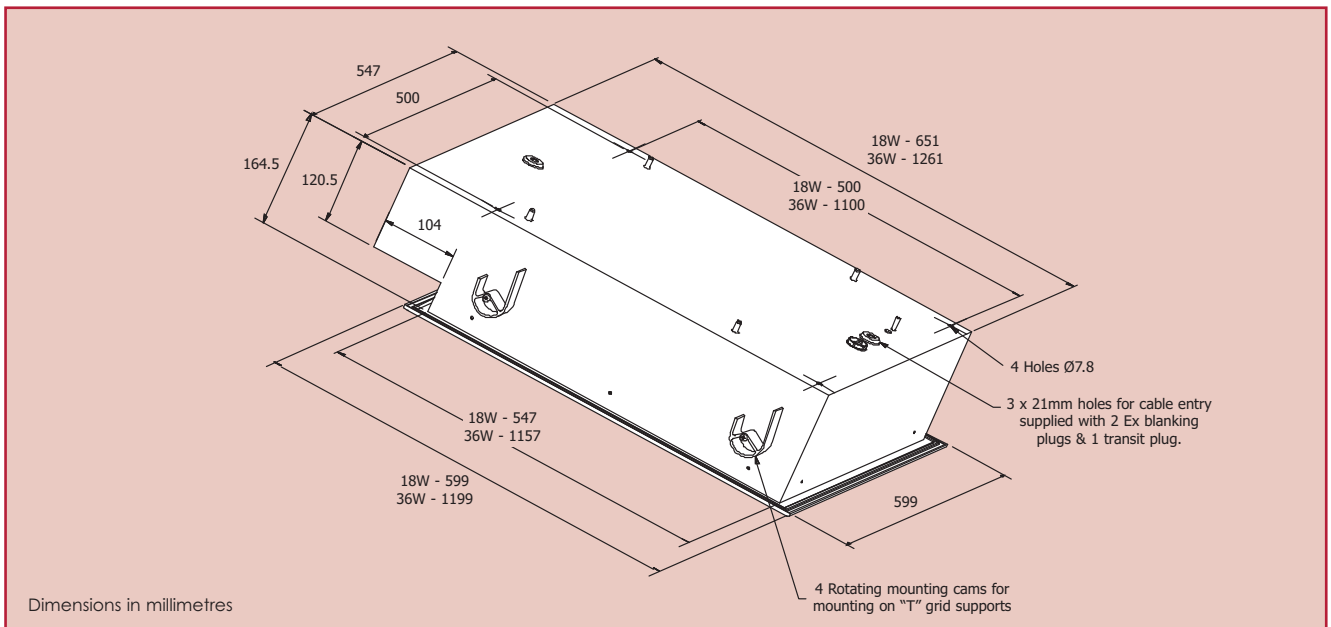
View of Spring "T" Ceiling with recessed luminaire, typical 600mm x 600mm tile grid mounting system (/MST).



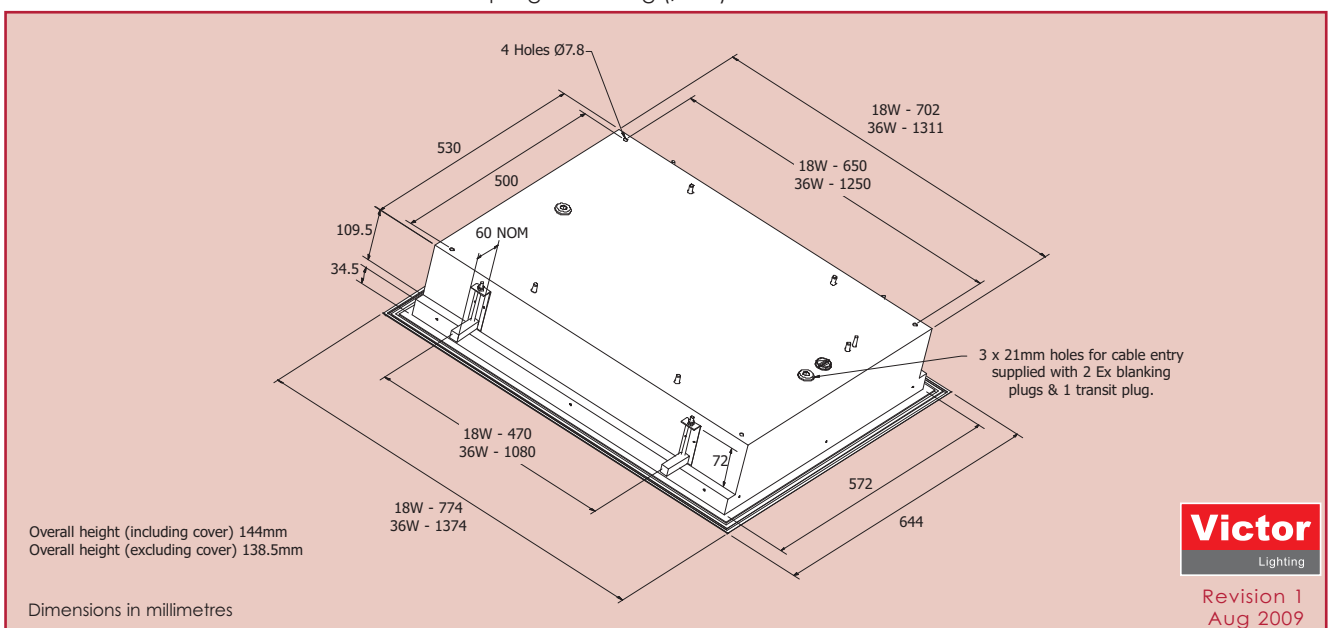
View of Solid Ceiling with recessed luminaire.



Exposed "T" Ceiling (/MET) dimensions.



Spring "T" Ceiling (/MST) dimensions.



Solid Ceiling dimensions.



Revision 1
Aug 2009