

FLOODLIGHT VL100I



FEATURES AND BENEFITS

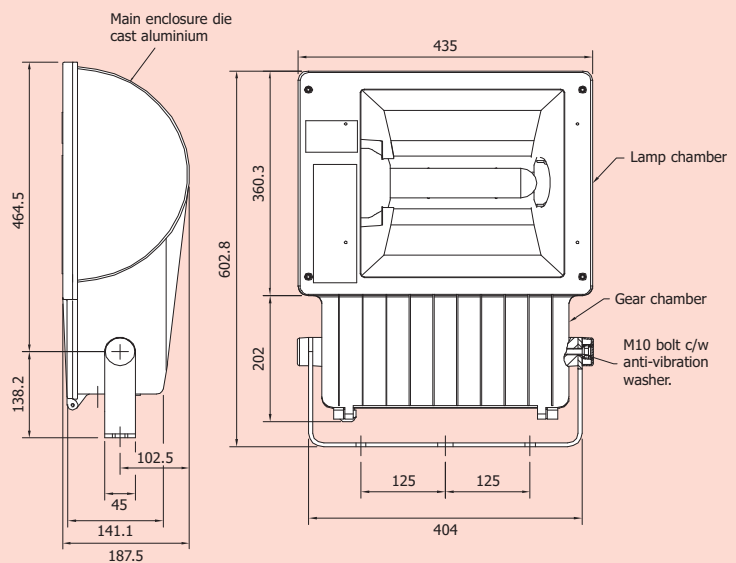
Compact light weight design • Integral control gear • Hinged lid assembly for easy re-lamping • Range of lamp options

CERTIFICATION & APPROVALS

Ingress protection IP66 and IP67
to EN60529

Designed & manufactured
to EN60598-1

DIMENSIONS



3 mounting holes:
centre hole Ø21mm
outer holes Ø14mm

Dimensions in millimetres

ORDERING REFERENCE

Std. Cat Ref.	Wattage	Lamp Type	Lampholder
V10I/150/MS	150W	HPS/Metal Halide	E40
V10I/250/MS	250W	HPS/Metal Halide	E40
V10I/250/MV	250W	Mercury Vapour	E40
V10I/400/MS	400W	HPS/Metal Halide	E40
V10I/400/MV	400W	Mercury Vapour	E40
V10I/500/TH	500W	Tungsten Halogen	E40

TECHNICAL SPECIFICATION

LAMP TYPES

SON - 150W Tubular
 SON and MBI - 250W Tubular
 SON and MBI - 400W Tubular
 Tungsten Halogen - 500W Max (single ended)
 GLS - 500W Max

POWER SUPPLY

220V, 230V, 240V and 250V 50/60Hz
 250V Max for halogen & GLS

POWER FACTOR

Greater than 0.85

TERMINALS

3 core up to 4 mm² conductors with looping. Terminals for live constant, neutral & earth are provided. Internally earthed.

CABLE ENTRIES

2 x M20 cable entries.

Supplied with 1 x transit plug and 1 x Ex blanking plug.

Cable entry devices (i.e. glands) must maintain the IP rating for the luminaire.

MATERIALS

Main body LM6 aluminium alloy (Die Cast).
 Lampglass Toughened glass.

WEIGHT

400W SON Lamps - 16Kg

SUSPENSION

Galvanised steel stirrup bracket with protractor for elevation angle setting.

OPTIONS - SUFFIX TO CATALOGUE REF.

/60	60Hz
/M	Medium beam reflector

ACCESSORIES

Pole mount bracket
 SV 10N-00005

Spigot mount bracket
 SV 10N-00004