

TITAN VL39



VL 39 with external reflector

FEATURES AND BENEFITS

Wide ambient temperature range • Maintenance free QL option • Extensive range of lamp types

CERTIFICATION & APPROVALS

ATEX Certificate SIRA01ATEX1274

Ex II 2 GD Ex de II C T4*

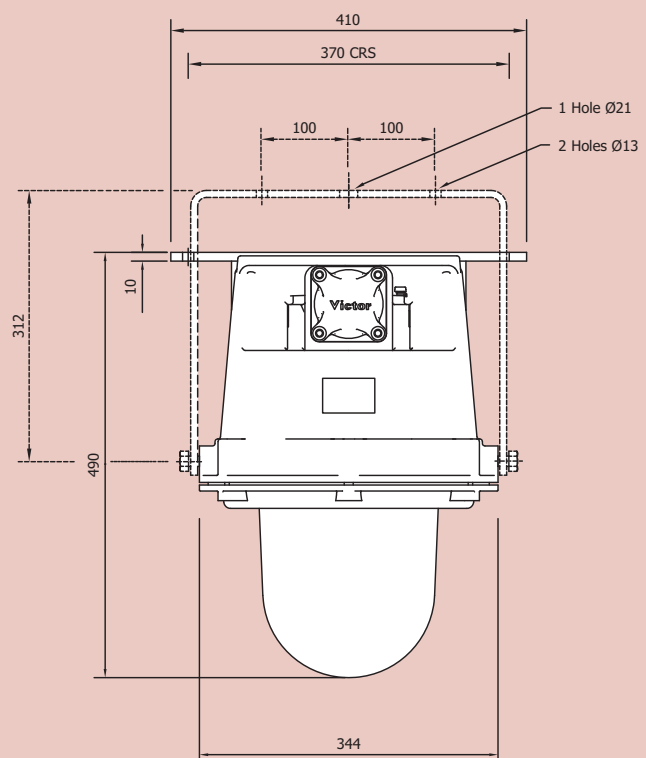
Ambient temperature range:
-20°C to +55°C* (standard)

Ingress protection to IP66 & IP67

GOST-R Approved
TIS Approved

* Refer to matrix for lamp
'T' rating on pendant mounted versions.

DIMENSIONS



Dimensions in millimetres

ORDERING REFERENCE

Std. Cat Ref.	Wattage	Lamp Type	Lampholder	T Class	T °C(Dust)	Ambient °C
TI9D/150/MS	150W	HPS & Metal Halide	E40	T3	145	-20°C to +50°C**
				T4	125	-20°C to +35°C**
TI9D/250/MS	250W	HPS & Metal Halide	E40	T3	145	-20°C to +50°C**
				T4	125	-20°C to +35°C**
TI9D/400/MS	400W	HPS & Metal Halide	E40	T3	170	-20°C to +40°C**
				T4	130	-20°C to +40°C**
TI9D/250/MV	250W	Mercury Vapour	E40	T3	145	-20°C to +50°C**
				T4	125	-20°C to +35°C**
TI9D/400/MV	400W	Mercury Vapour	E40	T3	170	-20°C to +40°C**
				T4	130	-20°C to +40°C**
TI9D/500/GL	500W	GLS	E40	T3	170	-20°C to +35°C**
				T4	130	-20°C to +30°C**
TI9D/165/QL	165W	QL	QL	T4	105	-20°C to +55°C**

** For low temperature versions (/LT) contact sales.

TECHNICAL SPECIFICATION

LAMP TYPES

SON - 150W, 250W & 400W
 MBI - 150W, 250W & 400W
 MBF - 150W, 250W & 400W
 GLS - 500W Max
 Philips QL - 165W (not suitable for reflector lamps).

POWER SUPPLY

SON, MBI & MBF 220V, 230V, 240V & 250V, 50Hz or 60Hz
 GLS 250V Max
 QL Lamps 200V - 240V 50/60Hz AC/DC (standard)
 110V - 130V 50/60Hz AC/DC (optional)

POWER FACTOR

Better than 0.95 for QL, GLS
 Better than 0.85 for High Intensity Discharge Luminaire.

TERMINALS

3 core up to 6 mm² conductors with looping.
 Terminals for live, neutral & earth are provided.
 Internally earthed, external earth terminal as standard.

CABLE ENTRIES

Two M20 x 1.5 entries as Standard with an option for two M25 x 1.5 entries. Other cable entries available on request.

Supplied with 1 x transit plug and 1 x Ex blanking plug.

Cable entry devices (ie. glands) must maintain the IP rating for the luminaire.

MATERIALS

Main body Marine grade aluminium alloy with full epoxy powder coating.
Lampglass Borosilicate glass.

WEIGHT

HID 23.0 kg
 QL Luminaire 20.0 kg
 GLS 19.0 kg

SUSPENSION

Mounting supplied with luminaire is for pendant operation suitable for two M12 fasteners on 370mm centres.
 Optional stirrup mounting available for wall/directional applications.

OPTIONS - SUFFIX TO CATALOGUE REF.

/60	60Hz
/LT	Low temperature -50°C to +50°C
/M25	M25 Entries
/S	Stirrup version for universal mounting***
/SLC	Sealed lamp chamber - Maintenance free (QL version)
/120	120V - QL lamps only

*** T rating and ambient may vary for universal (stirrup) mounting. Please contact technical sales.

ACCESSORIES

Stirrup mount bracket
 STI9D-00001

Wire guard
 STI9D-00002

External reflector
 STI9D-00003

Pole clamp
 STI9D-00005
 (For use with 70-80mm dia. pole)