

# TITAN VL38



VL 38 with external reflector

## FEATURES AND BENEFITS

Extreme ambient temperature range • Maintenance free QL option • Extensive range of lamp types

## CERTIFICATION & APPROVALS

**ATEX** Certificate SIRA01ATEX1049

Ex II 2 GD Ex de II C T4\*

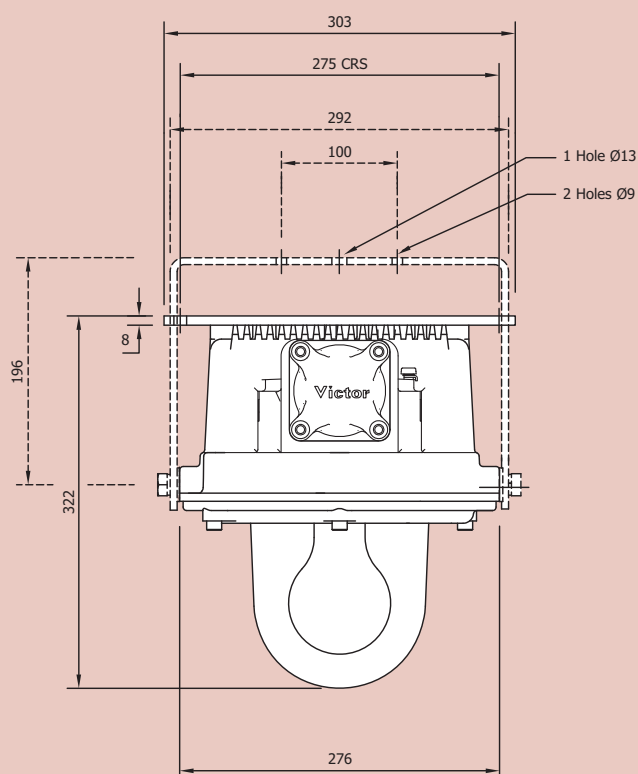
Ambient temperature range:  
-20°C to +68°C\* (standard)  
-50°C to +68°C\* (low temperature)

Ingress protection to IP66 & IP67

**GOST-R** Approved

\* Refer to matrix for lamp  
'T' rating on pendant mounted versions.

## DIMENSIONS



Dimensions in millimetres

## ORDERING REFERENCE

| Std. Cat Ref. | Wattage  | Lamp Type           | Lampholder | T Class | T °C(Dust) | Ambient °C               |
|---------------|----------|---------------------|------------|---------|------------|--------------------------|
| Ti8D/050/HS   | 50W      | HPS                 | E27        | T4      | 110        | (-50°C**) -20°C to +60°C |
| Ti8D/050/MV   | 50W      | Mercury Vapour      | E27        | T4      | 120        | -20°C to +60°C           |
| Ti8D/070/HS   | 70W      | HPS & Metal Halide  | E27        | T4      | 110        | (-50°C**) -20°C to +60°C |
| Ti8D/080/MV   | 80W      | Mercury Vapour      | E27        | T4      | 120        | -20°C to +60°C           |
| Ti8D/125/MV   | 125W     | Mercury Vapour      | E27        | T4      | 123        | -20°C to +48°C           |
| Ti8D/100/GL   | 100W     | GLS                 | E27        | T4      | 108        | (-50°C**) -20°C to +68°C |
| Ti8D/200/GL   | 200W     | GLS                 | E27        | T4      | 115        | (-50°C**) -20°C to +55°C |
| Ti8D/113/CF   | 1x10/13W | Compact Fluorescent | G24q       | T4      | 85         | -20°C to +60°C           |
| Ti8D/118/CF   | 1x18W    | Compact Fluorescent | G24q       | T4      | 85         | -20°C to +60°C           |
| Ti8D/126/CF   | 1x26W    | Compact Fluorescent | G24q       | T4      | 85         | -20°C to +60°C           |
| Ti8D/213/CF   | 2x10/13W | Compact Fluorescent | G24q       | T4      | 85         | -20°C to +60°C           |
| Ti8D/218/CF   | 2x18W    | Compact Fluorescent | G24q       | T4      | 85         | -20°C to +60°C           |
| Ti8D/226/CF   | 2x26W    | Compact Fluorescent | G24q       | T4      | 85         | -20°C to +60°C           |
| Ti8D/055/QL   | 55W      | QL                  | QL         | T4      | 93         | -50°C to +63°C           |
| Ti8D/085/QL   | 85W      | QL                  | QL         | T4      | 97         | -50°C to +57°C           |

\*\* Requires /LT suffix.

## TECHNICAL SPECIFICATION

### LAMP TYPES

SON - 50W & 70W  
 MBF - 50W, 80W & 125W  
 GLS - 200W Max (E27)  
 Compact Fluorescent - Single & Twin 10/13W, 18W & 26W  
 Philips QL - 55W & 85W

### POWER SUPPLY

SON & MBF 220V, 230V, 240V & 254V, 50Hz or 60Hz  
 GLS 250V Max  
 Compact Fluorescent 220V - 250V 50/60Hz AC and 200V - 250V DC  
 QL Lamps 200V - 240V 50/60Hz AC/DC (standard)  
 110V - 130V 50/60Hz AC/DC (optional)

### POWER FACTOR

Better than 0.85 for High Intensity Discharge Luminaire  
 Better than 0.95 for QL & Compact Fluorescent Luminaire

### TERMINALS

3 core up to 6 mm<sup>2</sup> conductors with looping.  
 Terminals for live, neutral & earth are provided.  
 Internally earthed, external earth terminal as standard.

### CABLE ENTRIES

Two M20 x 1.5 entries as Standard with an option for two M25 x 1.5 entries. Other cable entries available on request.  
 Supplied with 1 x transit plug and 1 x Ex blanking plug.  
 Cable entry devices (ie. glands) must maintain the IP rating for the luminaire.

### MATERIALS

**Main body** Marine grade aluminium alloy with full epoxy powder coating.  
**Lampglass** Borosilicate glass.

### WEIGHT

HID & QL Luminaire 10.0 kg  
 GLS & Compact Fluorescent 7.5 kg

### SUSPENSION

Mounting supplied with luminaire is for pendant operation suitable for two Ø 10mm fasteners on 275mm centres.  
 Optional stirrup mounting available for wall/directional applications.

## OPTIONS - SUFFIX TO CATALOGUE REF.

/60 60Hz  
 /120 120V - QL lamps only  
 /M25 M25 Entries  
 /S Stirrup version for universal mounting\*\*\*  
 /SLC Sealed lamp chamber - Maintenance free (QL version)  
 /LT Low temperature version (-50°C)

\*\*\* T rating and ambient may vary for universal (stirrup) mounting. Please contact technical sales.

## ACCESSORIES

**Stirrup mount bracket**  
 STi8D-00001

**Wire Guard**  
 STi8D-00002

**External Reflector**  
 STi8D-00003

**Pole clamp**  
 STi8D-00005  
 (For use with 40-60mm dia. pole)