

# REGENT VL71



## FEATURES AND BENEFITS

Lightweight Stainless Steel Construction • High efficiency symmetrical reflector  
Stainless steel cover with quick release fasteners • M8 external earth as standard

## CERTIFICATION & APPROVALS

**IECEX** Certificate IECEx BAS070025X  
**ATEX** Certificate Baseefa07ATEX0119X

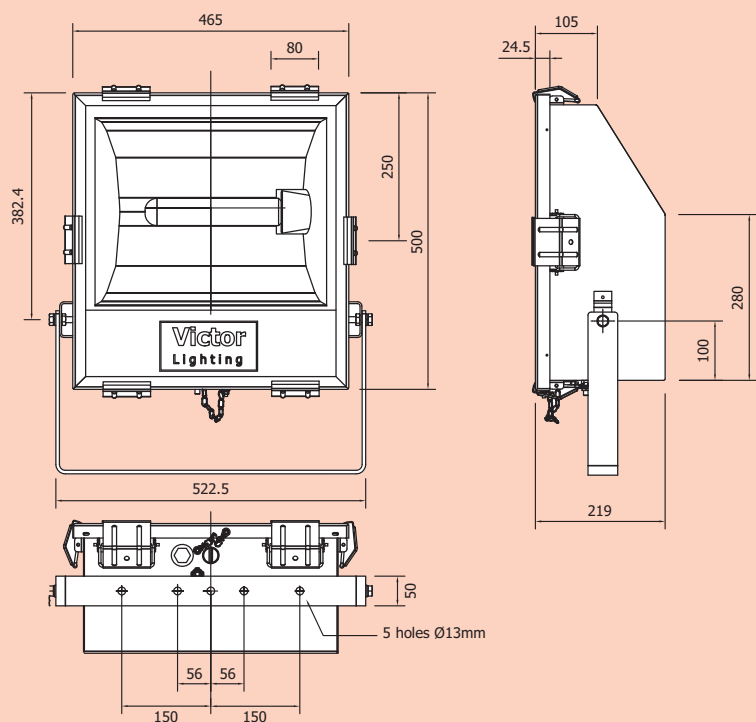
Ex II 3 GD Ex nA nR II

Ambient temperature range:  
-50°C to +60°C\*

Ingress protection IP66 and IP67

\* Refer to matrix for lamp,  
'T' rating.

## DIMENSIONS



Dimensions in millimetres

## ORDERING REFERENCE

Std. Cat Ref.	Wattage	Lamp Type	Lampholder	T Class	Ambient °C
REGN/150/MS	150W	HPS/Metal Halide	E40	T4	-50°C to +60°C
REGN/250/MS	250W	HPS/Metal Halide	E40	T4	-50°C to +55°C
REGN/400/MS	400W	HPS/Metal Halide	E40	T3	-50°C to +50°C
REGN/500/TH	500W	Tungsten Halogen	E40	T3	-50°C to +55°C
<b>110/120V Cat Ref.</b>					
REGN/150/MS/120**	150W	HPS/Metal Halide	E40	T4	-50°C to +55°C
REGN/250/MS/120**	250W	HPS/Metal Halide	E40	T4	-50°C to +55°C
REGN/400/MS/120***	400W	HPS/Metal Halide	E40	T3	-50°C to +55°C

\*\* c/w IEC control gear 110/120V supply

\*\*\* c/w Transformer box for 110/120V supply (IEC control gear fitted)

## TECHNICAL SPECIFICATION

### LAMP TYPES

SON/MBI = 150W, 250W, 400W (Tubular)  
Tungsten Halogen = 500W

### POWER SUPPLY

220V, 230V, 240V, 254V 50Hz

### POWER FACTOR

Better than 0.85

### TERMINALS

3 core up to 6 mm<sup>2</sup> conductors with looping. Terminals for live constant, neutral & earth are provided. Internally earthed, external earth terminal as standard.

### CABLE ENTRIES

2 x M20 cable entries.  
Supplied with 1 x transit plug and 1 x Ex blanking plug.  
Cable entry devices (i.e. glands) must maintain both the restricted breathing properties and the IP rating of the luminaire.

### TEMPERATURE

Refer to matrix above for maximum ambient temperature for lamp, T rating & orientation.

### MATERIALS

**Main Body** Epoxy painted marine grade stainless steel.  
**Lampglass** Toughened glass.  
**Gasket** Silicone rubber.  
**External Fasteners** Stainless steel.

### WEIGHT

150W - 19Kg  
250W - 20.5Kg  
400W - 21Kg  
500W - 16.5Kg  
110/120V - 23Kg

### MOUNTING

Stainless steel stirrup bracket.

## OPTIONS - SUFFIX TO CATALOGUE REF.

/60	60Hz
/M25	M25 Entries
/TI	Timed cut-out ignitor
/WA	Suitable for wire guard or anti-glare shield
/N	Narrow beam reflector

## ACCESSORIES

**Wire guard**  
S8644-0004  
(Requires /WA suffix when ordering)

**Pole mount bracket**  
S2400-0002

**Spigot mount bracket**  
S2400-0007

**Anti-glare shield**  
S8644-0002  
(Requires /WA suffix when ordering)