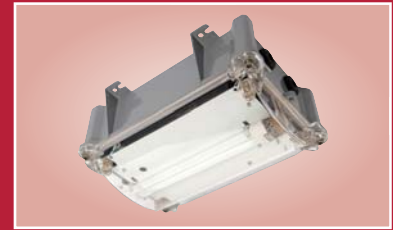


PATHFINDER VL114

3 Hour
Operation



11W Emergency version



Hanging exit sign



Adhesive exit sign

FEATURES AND BENEFITS

Lightweight yet robust construction • Mount in any orientation • Ideal for over-door lighting • Supplied complete with lamps

CERTIFICATION & APPROVALS

IECEX Certificate IECEX SIR 05.0004
ATEX Certificate SIRA03ATEX3556 T100°C

VL114 Standard Luminaire
Ex II 2 GD Ex em II

Ambient Temperature Range
2x18W T4 -45°C to +30°C*
T3 -45°C to +40°C*
T3 -45°C to +40°C*
1x11W T3 -45°C to +40°C*

VL114 Emergency 1 x 11W Luminaire
Ex II 2 GD Ex em II

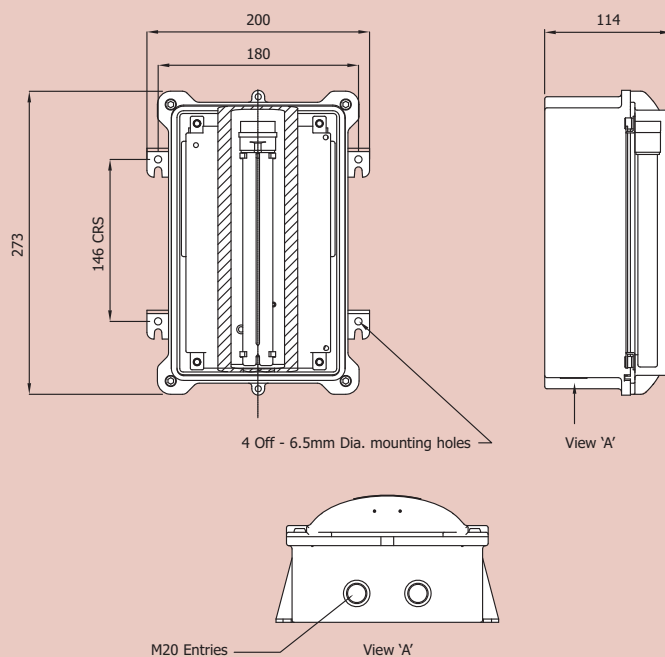
Ambient Temperature Range
Non-Maintained T4 -15°C to +60°C
T5 -15°C to +40°C
T6 -15°C to +25°C
Maintained T3 -15°C to +40°C

Ingress protection to IP66, IP67
IP68 (on application)

GOST-R Approved
GB (China) Approved

*For operations below -20°C
please contact technical sales

DIMENSIONS



Dimensions in millimeters

TECHNICAL SPECIFICATION

LAMP TYPES

11W and 18W compact fluorescent lamps are factory fitted.

POWER SUPPLY

VL114S	220V-254V, 50/60Hz only (1x11W)
VL114S	110V-254V, 59/60Hz (2x18W)
VL114E	220V-254V, 50/60Hz only (1x11W)

POWER FACTOR

Better than 0.95.

EMERGENCY OPERATION

11W non-maintained emergency light output is 11%. Duration is typically 3 hours.

BATTERY

5 cell - 4Ah, 6V internal Ni-Cad.

TERMINALS

3 core up to 4 mm² conductors with looping.

Terminals for live constant, live switched, neutral & earth are provided.

CABLE ENTRIES

Two x 20mm clearance holes supplied with 1 x transit plug and 1 x Ex blanking plug.

Cable entry devices (ie. glands) must maintain the IP rating for the luminaire.

TEMPERATURE

Gas environments are dependant on gas and ambient temperature
 Non-Maintained : T4, T5 & T6. Maintained : T3
 Dust environments : 100°C

AMBIENT TEMPERATURE

VL114E	-15°C to +60°C
VL114S	-45°C to +60°C

MATERIALS

Enclosure	Polycarbonate moulding.
Gasket	Silicone.
External Fasteners	Stainless steel.

WEIGHT

VL114E	2.5kg	VL114S	1.8kg
--------	-------	--------	-------

SUSPENSION

Standard mounting is direct to the main housing.

ORDERING REFERENCE

Std. Cat Ref.	Wattage	Lamp Type
PATE/111/CF	1x11W	Compact Fluorescent
PATE/218/CF	2x18W	Compact Fluorescent
PATE/111/CF/EM*	1x11W	Compact Fluorescent

*Non maintained as standard
 All Pathfinder models are supplied complete with lamps.

OPTIONS - SUFFIX TO CATALOGUE REF.

/120	Specific voltage 110/130V (for VL114E non maintained only)
/25	25mm Entries
/MEM	Maintained emergency (220-254V only)
/M20	M20 Threaded entry pad c/w earth lead to T/Block
/M25	M25 Threaded entry pad c/w earth lead to T/Block
/IEC	Supplied with IECEx certification label

ACCESSORIES

Lamp assembly (11watt)
 SPATE-00004

Lamp assembly (18watt)
 SPATE-00001

Exit sign, rigid plastic, chain hanging
 (no direction)
 SPATE-00005

Exit sign, rigid plastic, chain hanging (up arrow)
 SPATE-00006

Exit sign, rigid plastic, chain hanging
 (down arrow)
 SPATE-00007

Exit sign, rigid plastic, chain hanging
 (right arrow)
 SPATE-00008

Exit sign, rigid plastic, chain hanging
 (left arrow)
 SPATE-00009

Exit sign, rigid plastic, chain hanging (double
 sided arrow left & arrow right)
 SPATE-00011

Exit sign, adhesive (up, down, left and right)
 SPATE-00012