

MONARCH[®] VL14I



VL14 with external reflector



VL14 with wire guard



Glass retaining mechanism

FEATURES AND BENEFITS

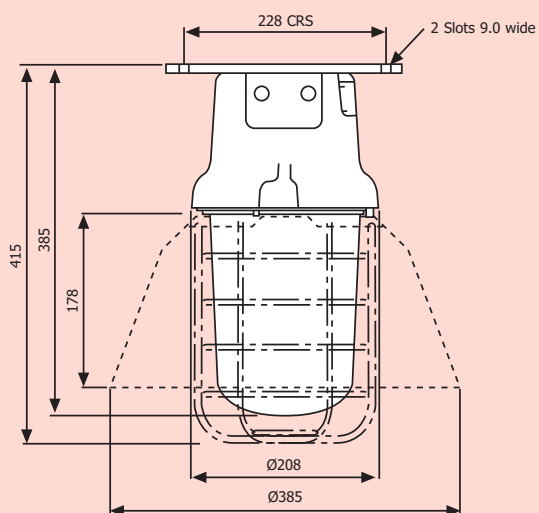
Easy to install and maintain • Suitable for pendant or 45° mounting • Integrated glass retaining mechanism

CERTIFICATION & APPROVALS

Ingress protection IP66
to EN60529

Designed & manufactured
to EN60598-1

DIMENSIONS



Dimensions in millimetres

ORDERING REFERENCE

| Std. Cat Ref. | Wattage | Lamp Type | Lampholder |
|---------------|---------|----------------|------------|
| MONI/070/HS | 70W | HPS | E27 |
| MONI/080/MV | 80W | Mercury Vapour | E27 |
| MONI/100/GL | 100W | GLS | E27 |
| MONI/125/MV | 125W | Mercury Vapour | E27 |
| MONI/160/MB | 160W | MBTF | E27 |
| MONI/200/GL | 200W | GLS | E27 |

TECHNICAL SPECIFICATION

LAMP TYPES

SON - 70W (external ignitor type)
 MBF - 50W, 80W and 125W
 MBTF - 200W GLS (max), 60W

POWER SUPPLY

HID: 220V / 230V / 240V / 254V
 GLS: 250V (MAX)
 Maximum lampholder current rating: 4A.

POWER FACTOR

Better than 0.85.

TERMINALS

3 core up to 2.5 mm² conductors with looping. Through wiring facility as standard. Terminals for live, neutral & earth are provided. External earth is an option.

CABLE ENTRIES

3 x M20 cable entries.

Supplied with 1 x transit plug and 2 x blanking plugs.

Cable entry devices (i.e. glands) must maintain the IP rating of the luminaire.

MATERIALS

Main Body LM6 aluminium - with epoxy paint finish.
 Cast Iron also available.
Lamp glass Borosilicate glass.
 (prismatic pattern).
External fasteners Stainless steel.

WEIGHT

Discharge lamp versions - 6.3Kg.
 GLS/MBTF versions - 4.8Kg.

SUSPENSION

Mounting strap suitable for two Ø8mm fasteners on 228mm centres.

OPTIONS - SUFFIX TO CATALOGUE REF.

/60 60Hz

ACCESSORIES

Wire guard
 SMONN-00001

Reflector
 SMONN-00002