

# MONARCH<sup>®</sup> VL14



VL14 with external reflector



VL14 with wire guard



Glass retaining mechanism

## FEATURES AND BENEFITS

Easy to install and maintain • Suitable for pendant or 45° mounting • Integrated glass retaining mechanism

## CERTIFICATION & APPROVALS

**ATEX** Certificate SIRA01ATEX4227

Ex II 3 G Ex nR II T4 T135°C  
& T5 T100°C

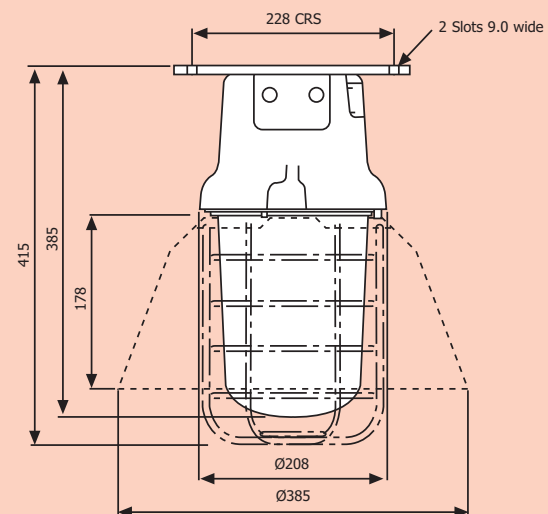
Ambient temperature range:  
-20°C to +50°C\*

Ingress protection to IP67

**GOST-R** Approved

\* Refer to matrix for lamp,  
'T' rating.

## DIMENSIONS



Dimensions in millimetres

## ORDERING REFERENCE

Std. Cat Ref.	Wattage	Lamp Type	Lampholder	T Class	T °C(Dust)	Ambient °C
MONN/070/HS	70W	HPS	E27	T5	100	-20°C to +50°C
MONN/080/MV	80W	Mercury Vapour	E27	T5	100	-20°C to +40°C
MONN/100/GL	100W	GLS	E27	T4	135	-20°C to +45°C
MONN/125/MV	125W	Mercury Vapour	E27	T4	135	-20°C to +35°C
MONN/160/MB	160W	MBTF	E27	T4	135	-20°C to +40°C
MONN/200/GL	200W	GLS	E27	T4	135	-20°C to +40°C

## TECHNICAL SPECIFICATION

### LAMP TYPES

SON - 70W (external ignitor type)  
 MBF - 50W, 80W and 125W  
 MBTF - 200W GLS (max), 60W

### POWER SUPPLY

HID: 220V / 230V / 240V / 254V  
 GLS: 250V (MAX)  
 Maximum lampholder current rating: 4A.

### POWER FACTOR

Better than 0.85.

### TERMINALS

3 core up to 2.5 mm<sup>2</sup> conductors with looping. Through wiring facility as standard. Terminals for live, neutral & earth are provided. External earth is an option.

### CABLE ENTRIES

3 x M20 cable entries.

Supplied with 1 x transit plug and 2 x Ex blanking plugs.

Cable entry devices (i.e. glands) must maintain both the restricted breathing properties and the IP rating of the luminaire.

### AMBIENT TEMPERATURE

70W HPS	T5 -20°C to +50°C	} Pendant at 45° inclination
80W Mercury Vapour	T4 -20°C to +50°C	
125W Mercury Vapour	T4 -20°C to +35°C	} Pendant only
100W GLS	T4 -20°C to +45°C	
200W GLS/160W MBTF	T4 -20°C to +40°C	

### MATERIALS

Main Body	LM6 aluminium - with epoxy paint finish.
Lamp glass	Borosilicate glass. (prismatic pattern).
External fasteners	Stainless steel.

### WEIGHT

Discharge lamp versions - 6.3Kg.  
 GLS/MBTF versions - 4.8Kg.

### SUSPENSION

Mounting strap suitable for two Ø8mm fasteners on 228mm centres.

## OPTIONS - SUFFIX TO CATALOGUE REF.

/60	60Hz
/D	Zone 22 Dust applications

## ACCESSORIES

Wire guard  
 SMONN-00001

Reflector  
 SMONN-00002