

# MONARCH II® VL15I



Low wattage glass globe (up to 150W)



Enclosed spun reflector

## FEATURES AND BENEFITS

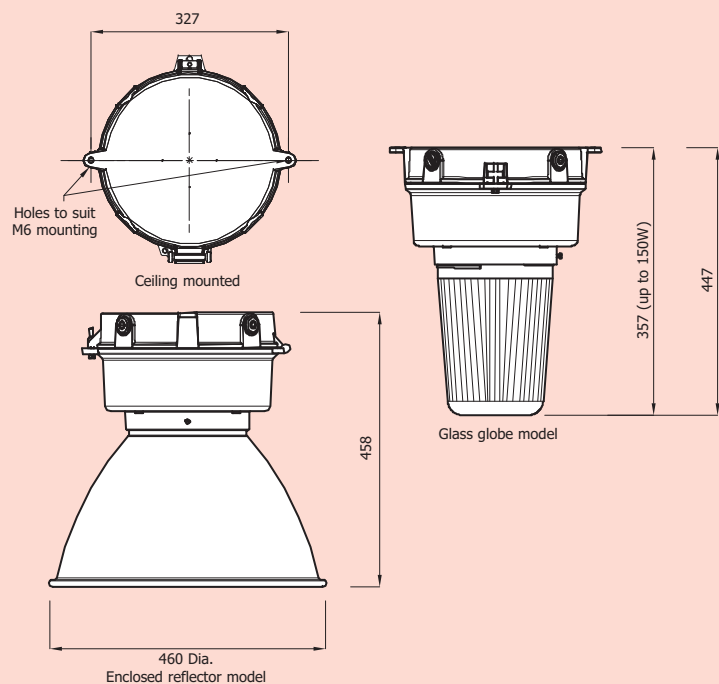
Swing barrel nut system for simple installation • Easy access to terminals and control gear • Threaded lamp glass for rapid re-lamping

## CERTIFICATION & APPROVALS

Ingress protection IP66  
to EN60529

Designed & manufactured  
to EN60598-1

## DIMENSIONS



Dimensions in millimetres

## ORDERING REFERENCE

Std. Cat Ref.	Wattage	Lamp Type	Lampholder
MO2I/050/HS	50W	HPS	E27
MO2I/070/MS	70W	HPS/Metal Halide	E27
MO2I/100/MS	100W	HPS/Metal Halide	E40
MO2I/150/MS	150W	HPS/Metal Halide	E40
MO2I/250/MS	250W	HPS/Metal Halide	E40
MO2I/400/MS	400W	HPS/Metal Halide	E40
MO2I/080/MV	80W	Mercury Vapour	E27
MO2I/125/MV	125W	Mercury Vapour	E27
MO2I/250/MV	250W	Mercury Vapour	E40
MO2I/400/MV	400W	Mercury Vapour	E40

## TECHNICAL SPECIFICATION

### LAMP TYPES

Refer to table above.

### POWER SUPPLY

Mercury Vapour - 220, 230, 240V 50Hz (50, 80, 100 & 125W)  
HPS/Metal Halide - 220, 230, 240, 254V 50Hz (70, 150, 250 & 400W)

### TERMINALS

Side entry luminaire, 3 core up to 6mm<sup>2</sup> max conductors with looping.

### CABLE ENTRIES

Up to 4 x M20 cable entries.

Supplied with 1 x transit plug and 1 or 3 x blanking plugs.  
(Wall mounted version is supplied with 1 blanking plug and the Ceiling mounted version is supplied with 3 blanking plugs).

Cable entry devices (ie. glands) must maintain the IP rating for the luminaire.

### MATERIALS

Enclosure Painted aluminium alloy.  
Diffuser Borosilicate glass.  
Gasket Silicone rubber.

### WEIGHT

HPS - 7.5Kg (50W), 9.0Kg (100W)

HPS/Metal Halide - 8.0Kg (70W), 11.0Kg (150W),  
15.0kg (250W), 15.5Kg (400W)

Mercury Vapour - 7.5Kg (80W), 8.0Kg (125W), 15.0Kg (250W),  
15.5Kg (400W)

### SUSPENSION

Mounting options include: ceiling and flush, wall mounted, stanchion and pendant mounted options.

## OPTIONS - SUFFIX TO CATALOGUE REF.

/60	60Hz
/M25	M25 cable entries
/WM	Wall mounted version
/ST	Stanchion mounted version
/PE	Pendant mounted version
/ER	Enclosed spun reflector

## ACCESSORIES

Wire guard for low wattage glass globe  
(up to 150W)  
E0850-0042

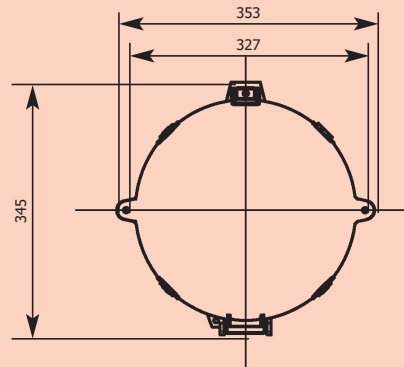
Wire guard for high wattage glass globe  
(200W/400W)  
E0850-0044

Wire guard for enclosed reflector  
E0850-0043

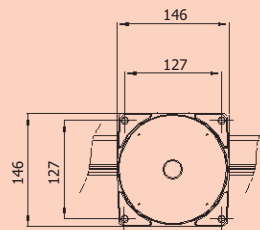
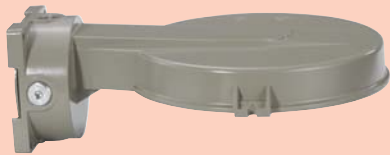
Dome reflector kit  
SEC20-0001

30° Angled reflector kit  
SEC20-0002

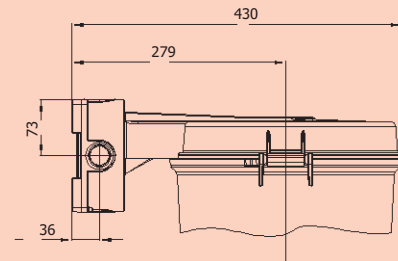
## CEILING and FLUSH MOUNTING



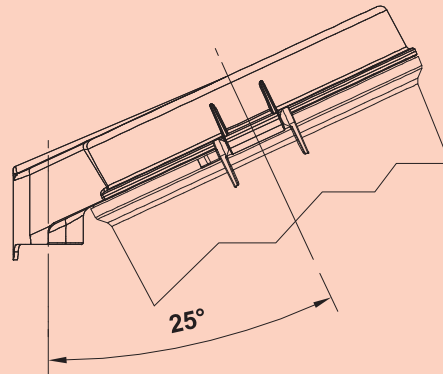
## WALL MOUNTING (/WM)



4 x Mounting holes  
suitable for M6 screws

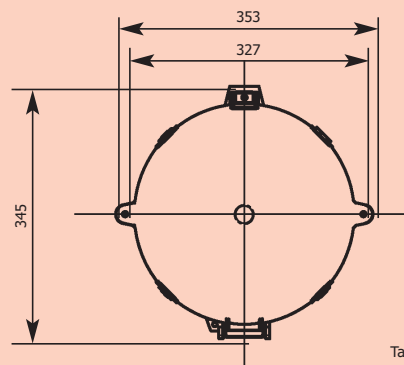


## 25° STANCHION MOUNTING (/ST)



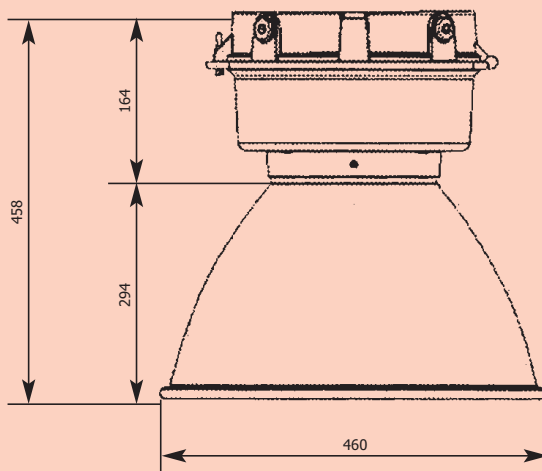
To suit pole diameter 70mm (1½" NPT threaded)

## PENDANT MOUNTING (/PE)

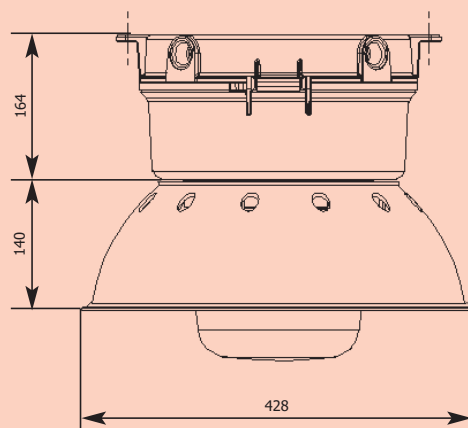


Tapped M25 hole for mounting  
and cable entry

## SEALED SPUN REFLECTOR (/ER)



## DOMED REFLECTOR (SEC20-0001)



## ANGLE REFLECTOR (SEC20-0002)

