

MARQUIS II VL56I



VL56I with stainless steel body

FEATURES AND BENEFITS

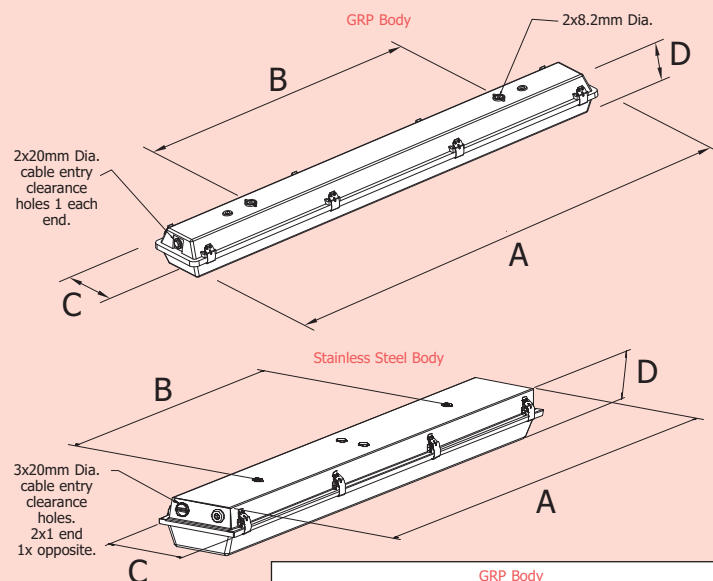
Battery back up for three hour emergency operation • Simple to install and maintain • Copper and Iron control gear

CERTIFICATION & APPROVALS

Ingress protection IP65
to EN60529

Designed & manufactured
to EN60598-1

DIMENSIONS



GRP Body			
	1 x 18W / 2x18W	1x36W / 2x36W	1x58W / 2x58W
A	702	1312	1612
B	500	800	1100
C	102 / 172	102 / 172	102 / 172
D	106	106	106
Stainless Steel Body			
	1x18W / 2x18W	1x36W / 2x36W	1x58W / 2x58W
A	700	1312	1612
B	500	800	1100
C	172	172	172
D	106	106	106

Dimensions in millimetres

TECHNICAL SPECIFICATION

LAMP TYPES

T8, Ø26mm, G13 cap bi-pin fluorescent.
Available in the following configurations: 2 x 18W, 2 x 36W, 2 x 58W.

POWER SUPPLY

230V/240V, 50Hz

POWER FACTOR

Greater than 0.80

EMERGENCY OPERATION

Typically 3 hours duration at 25°C
32% of one lamp (18W).
14% of one lamp (36W).
9% of one lamp (58W).

BATTERY

6V, 4Ah internal Ni-Cad.

CABLE ENTRIES

Pre-drilled Ø20mm.

Supplied with 1 x transit plug and the required number of blanking plugs.

Cable entry devices (ie. glands) must maintain the IP rating for the luminaire.

TERMINALS

4 core up to 4 mm² conductors. Through wiring is available as an option. Terminals for live constant, live switched, neutral & earth are provided. Internally earthed.

MATERIALS

Body Corrosion resistant glass reinforced polyester (GRP) or stainless steel.
Diffusers Polycarbonate.
Clips Stainless Steel (18Wx6, 36Wx8 & 58Wx10).
Gear Tray White polyester painted zinc coated steel.

CONTROL GEAR

Copper & Iron pulse start ballast.

WEIGHT

GRP Body	Stainless Body
1 x 18W Lamp - 4.8Kg	1 x 18W Lamp - 7.8Kg
1 x 36W Lamp - 5.6Kg	1 x 36W Lamp - 8.6Kg
1 x 58W Lamp - 5.7Kg	1 x 58W Lamp - 8.7Kg
2 x 18W Lamps - 5.6Kg	2 x 18W Lamps - 8.2Kg
2 x 36W Lamps - 6.1Kg	2 x 36W Lamps - 9.1Kg
2 x 58W Lamps - 7.1Kg	2 x 58W Lamps - 10.1Kg

SUSPENSION

8mm clearance holes, sealing washers are provided.

A range of mounting accessories are available. See below:

ORDERING REFERENCE

Std. Cat Ref.	Wattage	Lamp Type
MA2I/118/BI/EM*	1x18W	Bi-Pin
MA2I/218/BI/EM	2x18W	Bi-Pin
MA2I/136/BI/EM*	1x36W	Bi-Pin
MA2I/236/BI/EM	2x36W	Bi-Pin
MA2I/158/BI/EM*	1x58W	Bi-Pin
MA2I/258/BI/EM	2x58W	Bi-Pin

* Emergency single lamp versions only available in a twin lamp body.

A stainless steel body version is also available.
To order substitute MA2I with MS2I.

OPTIONS - SUFFIX TO CATALOGUE REF.

/NM	Non-maintained emergency version (single lamp body)
/MF	Mains fuse
/T	Through wired
/ES	Electronic start
/EA	External earth (earth tag - GRP body only) (earth stud - stainless body only)

ACCESSORIES

Pole mount bracket (38-42mm)
SPOL4-100004

Pole mount bracket (48-52mm)
SPOL4-100005

Pole mount bracket (58-62mm)
SPOL4-100006

Offset ceiling bracket assembly
S3004-100001

C' form hook type ceiling bracket assembly
S3004-100003

Flush mounted wall bracket assembly
S3004-100004

18W wall mounting outreach bracket
(use with SPOL4-100004)
NPRO4-0008

36W wall mounting outreach bracket
(use with SPOL4-100004)
NPRO4-0012

58W wall mounting outreach bracket
(use with SPOL4-100004)
NPRO4-0022

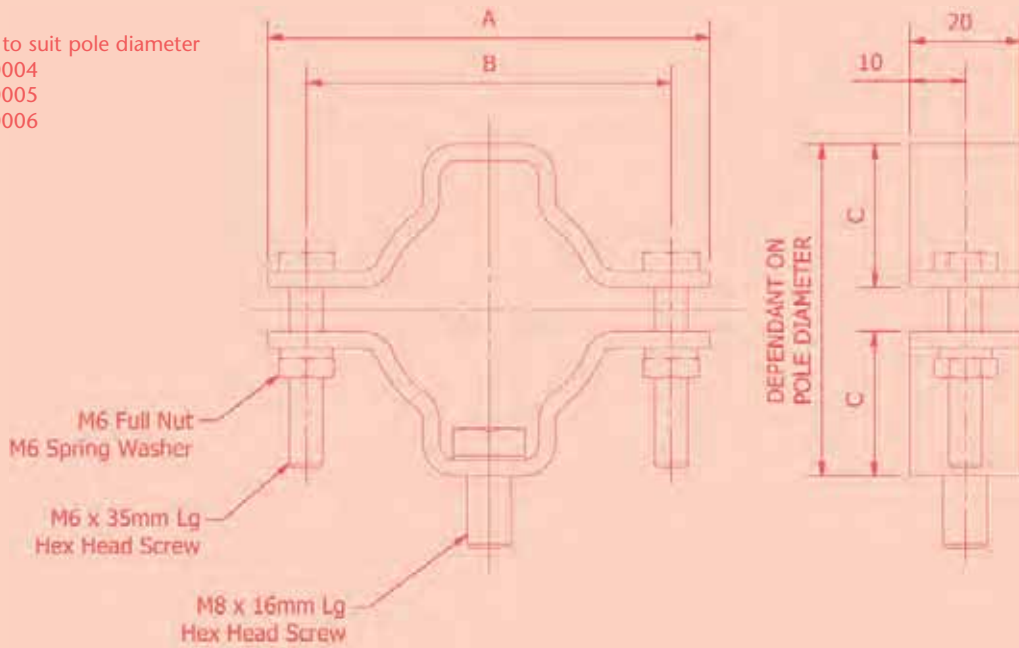
MARQUIS II

3

Pole Mount Bracket Assembly

Cat No. SPOL4-100004/100005/100006

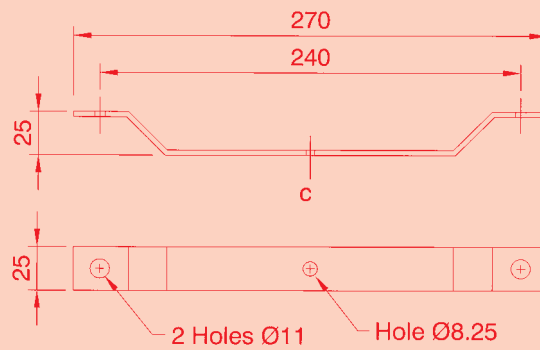
Pole mounting bracket to suit pole diameter
 (38-42mm) SPOL4-100004
 (48-52mm) SPOL4-100005
 (58-62mm) SPOL4-100006



PART DETAILS				
Part Code	Part Description	A	B	C
SPOL4-100004	Marquis II 38-42 P/M ASSY	80mm	66mm	26mm
SPOL4-100005	Marquis II 48-52 P/M ASSY	90mm	76mm	32mm
SPOL4-100006	Marquis II 58-62 P/M ASSY	96mm	80mm	38mm

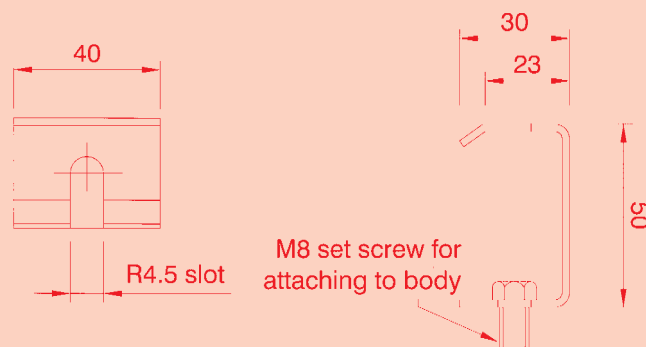
Offset Ceiling Bracket Assembly

Cat No. S3004-100001



C' Form Hook Type Ceiling Bracket Assembly

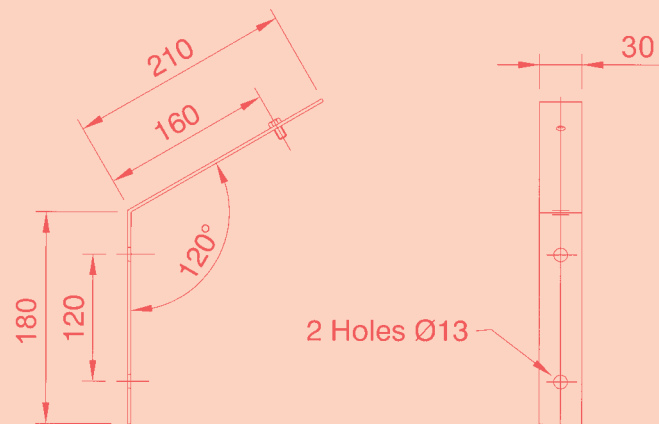
Cat No. SPRO4-0005



MOUNTING OPTIONS

Flush Mounted Wall Bracket Assembly

Cat No. S3004-100004

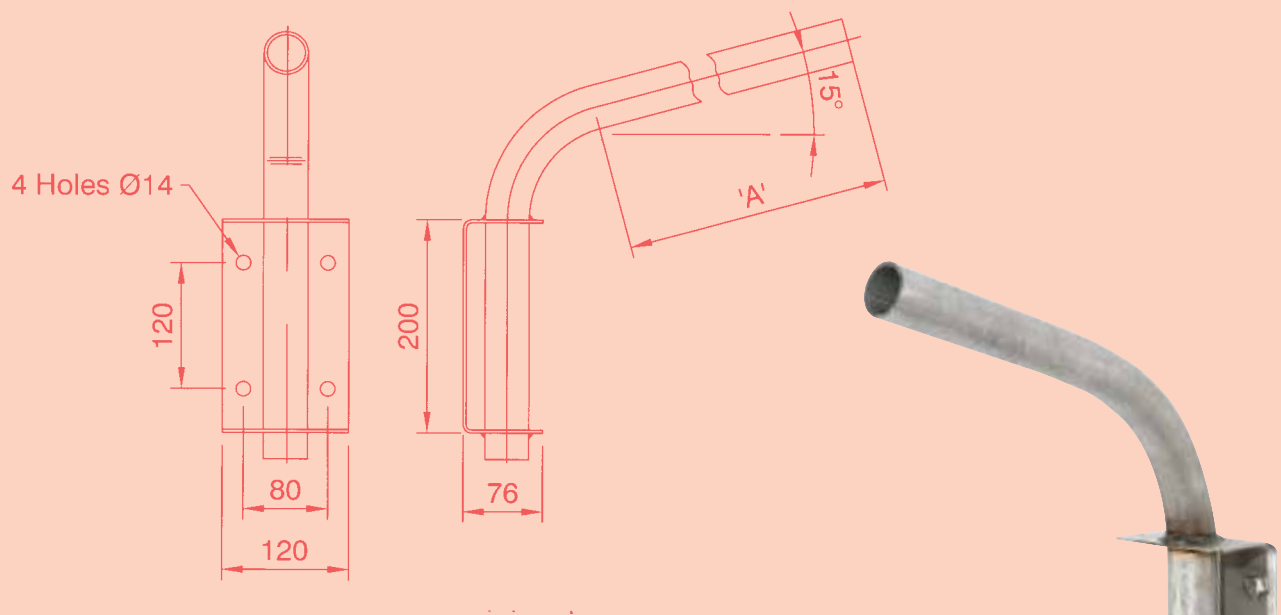


Flush mounting wall bracket
Cat No. SPRO4-0006

Note: All brackets are made from 316 Stainless Steel

Wall Mounting Outreach Bracket

Cat No. NPRO4-0008/0012/0022



Pole length 'A' for use with the following:

1. 18W body c/w pole clamps (SPOL4-100004), size 'A' = 650mm
Cat No. NPRO4-0008
2. 36W body c/w pole clamps, (SPOL4-100004) size 'A' = 1100mm
Cat No. NPRO4-0012
3. 58W body c/w pole clamps (SPOL4-100004) size 'A' = 1400mm
Cat No. NPRO4-0022

Pole clamps for all items must be ordered separately, see SPOL4-100004