

# MARQUIS II VL55I H/F



VL55I with stainless steel body

## FEATURES AND BENEFITS

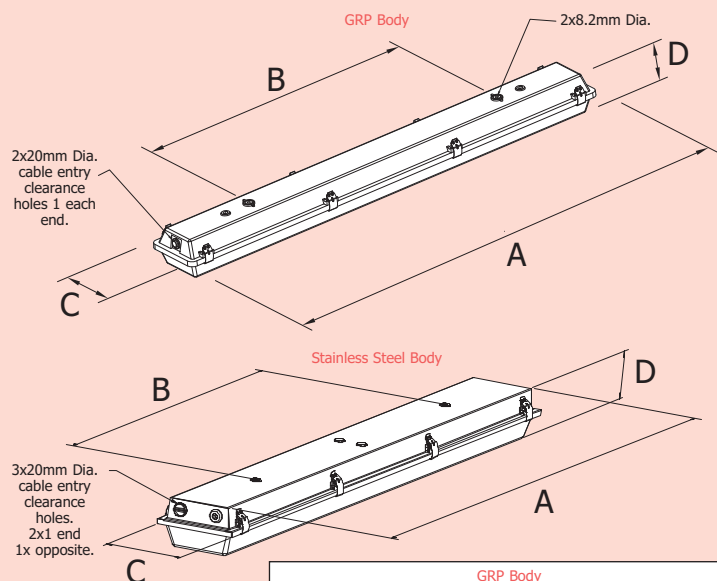
Lightweight and slimline construction • Simple to install and maintain • High frequency electronic control gear • Single and twin lamp versions

## CERTIFICATION & APPROVALS

Ingress protection IP65  
to EN60529

Designed & manufactured  
to EN60598-1

## DIMENSIONS



GRP Body			
	1 x 18W / 2x18W	1x36W / 2x36W	1x58W / 2x58W
A	702	1312	1612
B	500	800	1100
C	102 / 172	102 / 172	102 / 172
D	106	106	106
Stainless Steel Body			
	1x18W / 2x18W	1x36W / 2x36W	1x58W / 2x58W
A	700	1312	1612
B	500	800	1100
C	172	172	172
D	106	106	106

Dimensions in millimetres

## TECHNICAL SPECIFICATION

### LAMP TYPES

T8, Ø26mm, G13 cap bi-pin fluorescent.  
Available in the following configurations: 2 x 18W,  
2 x 36W, 2 x 58W.

### POWER SUPPLY

120V-254V, 50/60Hz AC  
175V-270V DC

### POWER FACTOR

Greater than 0.95

### TERMINALS

4 core up to 4 mm<sup>2</sup> conductors. Through wiring is available as an option. Terminals for live constant, live switched, neutral & earth are provided. Internally earthed.

### CABLE ENTRIES

Pre-drilled Ø20mm.

Supplied with 1 x transit plug and the required number of blanking plugs.

Cable entry devices (ie. glands) must maintain the IP rating for the luminaire.

### MATERIALS

**Body** Corrosion resistant glass reinforced polyester (GRP) or stainless steel.  
**Diffusers** Polycarbonate.  
**Clips** Stainless Steel (18Wx6, 36Wx8 & 58Wx10).  
**Gear Tray** White polyester painted zinc coated steel.

### CONTROL GEAR

High frequency electronic ballast.

### WEIGHT

<b>GRP Body</b>	<b>Stainless Body</b>
1 x 18W Lamp - 2.3Kg	1 x 18W Lamp - 5.3Kg
1 x 36W Lamp - 3.3Kg	1 x 36W Lamp - 6.3Kg
1 x 58W Lamp - 3.7Kg	1 x 58W Lamp - 6.7Kg
2 x 18W Lamps - 2.6Kg	2 x 18W Lamps - 5.6Kg
2 x 36W Lamps - 3.6Kg	2 x 36W Lamps - 6.6Kg
2 x 58W Lamps - 4.1Kg	2 x 58W Lamps - 7.1Kg

### SUSPENSION

8mm clearance holes, sealing washers are provided.

A range of mounting accessories are available. See below:

## ORDERING REFERENCE

Std. Cat Ref.	Wattage	Lamp Type
MA2I/118/BI/HF	1X18W	Bi-Pin
MA2I/218/BI/HF	2x18W	Bi-Pin
MA2I/136/BI/HF	1x36W	Bi-Pin
MA2I/236/BI/HF	2x36W	Bi-Pin
MA2I/158/BI/HF	1x58W	Bi-Pin
MA2I/258/BI/HF	2x58W	Bi-Pin

**A stainless steel body version is also available.  
To order substitute MA2I with MS2I.**

## OPTIONS - SUFFIX TO CATALOGUE REF.

/MF	Mains fuse
/T	Through wired
/EA	External earth (earth tag - GRP body only) (earth stud - stainless body only)

## ACCESSORIES

**Pole mount bracket (38-42mm)**  
SPOL4-100004

**Pole mount bracket (48-52mm)**  
SPOL4-100005

**Pole mount bracket (58-62mm)**  
SPOL4-100006

**Offset ceiling bracket assembly**  
S3004-100001

**C' form hook type ceiling bracket assembly**  
S3004-100003

**Flush mounted wall bracket assembly**  
S3004-100004

**18W wall mounting outreach bracket  
(use with SPOL4-100004)**  
NPRO4-0008

**36W wall mounting outreach bracket  
(use with SPOL4-100004)**  
NPRO4-0012

**58W wall mounting outreach bracket  
(use with SPOL4-100004)**  
NPRO4-0022

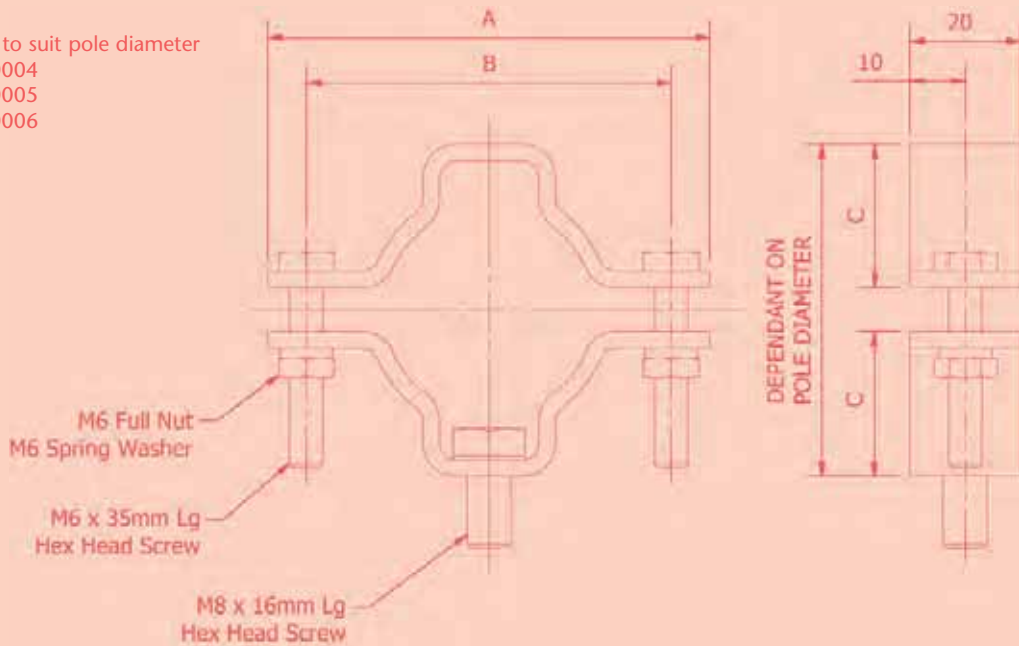
# MARQUIS II

3

## Pole Mount Bracket Assembly

Cat No. SPOL4-100004/100005/100006

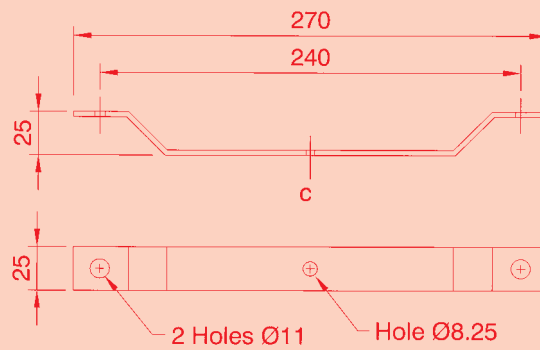
Pole mounting bracket to suit pole diameter  
 (38-42mm) SPOL4-100004  
 (48-52mm) SPOL4-100005  
 (58-62mm) SPOL4-100006



PART DETAILS				
Part Code	Part Description	A	B	C
SPOL4-100004	Marquis II 38-42 P/M ASSY	80mm	66mm	26mm
SPOL4-100005	Marquis II 48-52 P/M ASSY	90mm	76mm	32mm
SPOL4-100006	Marquis II 58-62 P/M ASSY	96mm	80mm	38mm

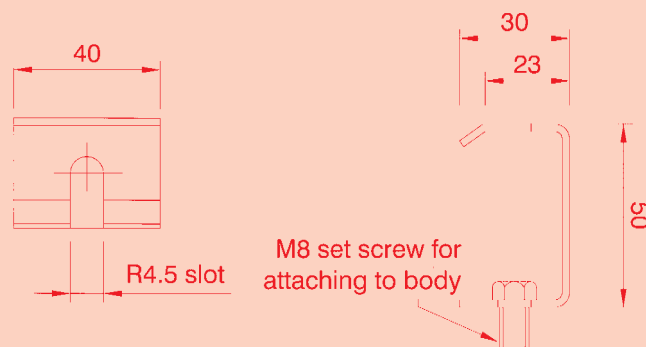
## Offset Ceiling Bracket Assembly

Cat No. S3004-100001



## C' Form Hook Type Ceiling Bracket Assembly

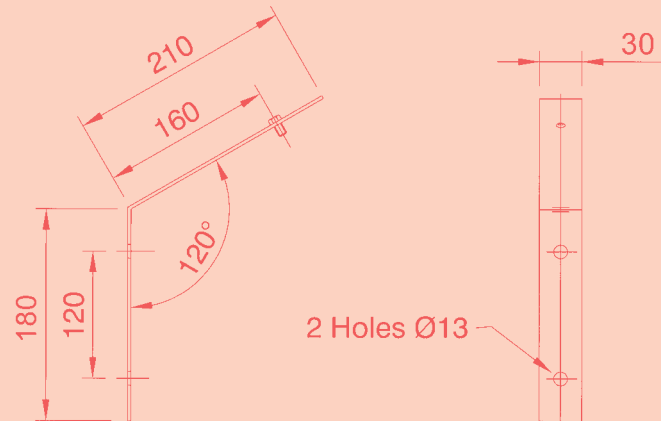
Cat No. SPRO4-0005



# MOUNTING OPTIONS

## Flush Mounted Wall Bracket Assembly

Cat No. S3004-100004

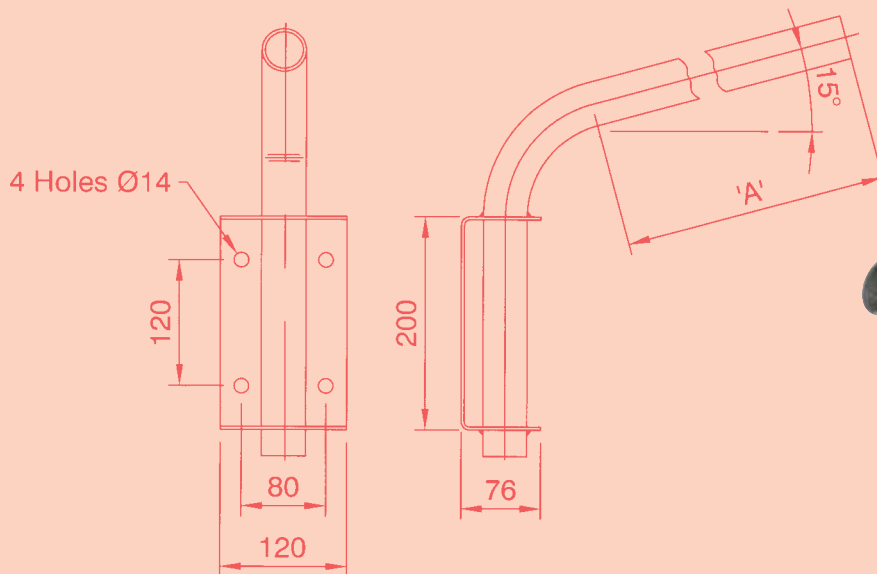


Flush mounting wall bracket  
Cat No. SPRO4-0006

Note: All brackets are made from 316 Stainless Steel

## Wall Mounting Outreach Bracket

Cat No. NPRO4-0008/0012/0022



Pole length 'A' for use with the following:

1. 18W body c/w pole clamps (SPOL4-100004), size 'A' = 650mm  
Cat No. NPRO4-0008
2. 36W body c/w pole clamps, (SPOL4-100004) size 'A' = 1100mm  
Cat No. NPRO4-0012
3. 58W body c/w pole clamps (SPOL4-100004) size 'A' = 1400mm  
Cat No. NPRO4-0022

Pole clamps for all items must be ordered separately, see SPOL4-100004