

MARQUIS II VL55I



VL55I with stainless steel body

FEATURES AND BENEFITS

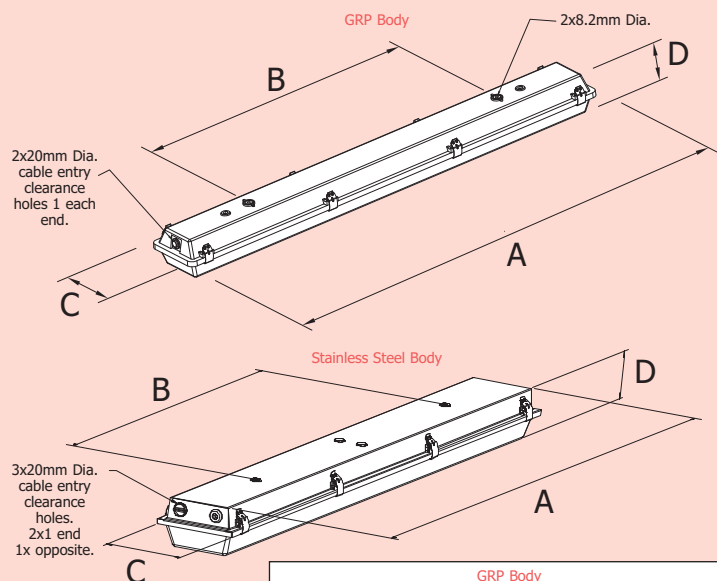
Lightweight and slimline construction • Simple to install and maintain • Copper and Iron control gear • Single and twin lamp versions

CERTIFICATION & APPROVALS

Ingress protection IP65
to EN60529

Designed & manufactured
to EN60598-1

DIMENSIONS



GRP Body			
	1 x 18W / 2x18W	1x36W / 2x36W	1x58W / 2x58W
A	702	1312	1612
B	500	800	1100
C	102 / 172	102 / 172	102 / 172
D	106	106	106
Stainless Steel Body			
	1x18W / 2x18W	1x36W / 2x36W	1x58W / 2x58W
A	700	1312	1612
B	500	800	1100
C	172	172	172
D	106	106	106

Dimensions in millimetres

TECHNICAL SPECIFICATION

LAMP TYPES

T8, Ø26mm, G13 cap bi-pin fluorescent.
Available in the following configurations: 2 x 18W,
2 x 36W, 2 x 58W.

POWER SUPPLY

230V/240V 50Hz

POWER FACTOR

Greater than 0.80

TERMINALS

4 core up to 4 mm² conductors. Through wiring is available as an option. Terminals for live constant, live switched, neutral & earth are provided. Internally earthed.

CABLE ENTRIES

Pre-drilled Ø20mm.

Supplied with 1 x transit plug and the required number of blanking plugs.

Cable entry devices (ie. glands) must maintain the IP rating for the luminaire.

MATERIALS

Body Corrosion resistant glass reinforced polyester (GRP) or stainless steel.
Diffusers Polycarbonate.
Clips Stainless Steel (18Wx6, 36Wx8 & 58Wx10).
Gear Tray White polyester painted zinc coated steel.

CONTROL GEAR

Copper & Iron pulse start ballast.

WEIGHT

GRP Body	Stainless Body
1 x 18W Lamp - 2.5Kg	1 x 18W Lamp - 5.5Kg
1 x 36W Lamp - 3.6Kg	1 x 36W Lamp - 6.6Kg
1 x 58W Lamp - 4.2Kg	1 x 58W Lamp - 7.2Kg
2 x 18W Lamps - 3.2Kg	2 x 18W Lamps - 6.2Kg
2 x 36W Lamps - 4.2Kg	2 x 36W Lamps - 7.2Kg
2 x 58W Lamps - 5.1Kg	2 x 58W Lamps - 8.1Kg

SUSPENSION

8mm clearance holes, sealing washers are provided.

A range of mounting accessories are available. See below:

ORDERING REFERENCE

Std. Cat Ref.	Wattage	Lamp Type
MA2I/118/BI	1x18W	Bi-Pin
MA2I/218/BI	2x18W	Bi-Pin
MA2I/136/BI	1x36W	Bi-Pin
MA2I/236/BI	2x36W	Bi-Pin
MA2I/158/BI	1x58W	Bi-Pin
MA2I/258/BI	2x58W	Bi-Pin

**A stainless steel body version is also available.
To order substitute MA2I with MS2I.**

OPTIONS - SUFFIX TO CATALOGUE REF.

/MF	Mains fuse
/T	Through wired
/ES	Electronic start
/EA	External earth (earth tag - GRP body only) (earth stud - stainless body only)

ACCESSORIES

Pole mount bracket (38-42mm)
SPOL4-100004

Pole mount bracket (48-52mm)
SPOL4-100005

Pole mount bracket (58-62mm)
SPOL4-100006

Offset ceiling bracket assembly
S3004-100001

C' form hook type ceiling bracket assembly
S3004-100003

Flush mounted wall bracket assembly
S3004-100004

**18W wall mounting outreach bracket
(use with SPOL4-100004)**
NPRO4-0008

**36W wall mounting outreach bracket
(use with SPOL4-100004)**
NPRO4-0012

**58W wall mounting outreach bracket
(use with SPOL4-100004)**
NPRO4-0022

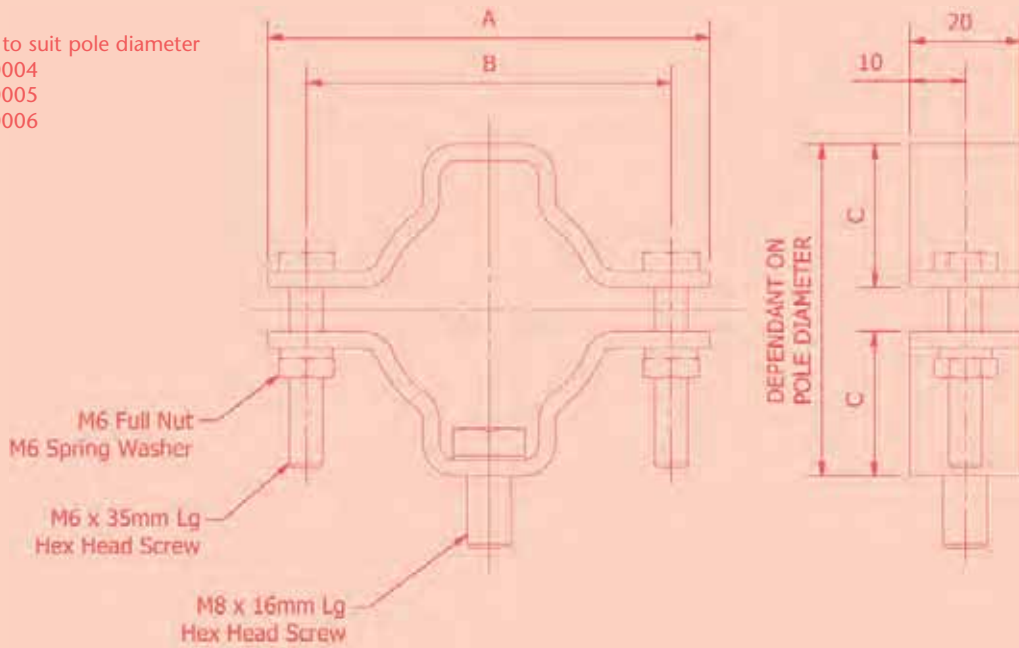
MARQUIS II

3

Pole Mount Bracket Assembly

Cat No. SPOL4-100004/100005/100006

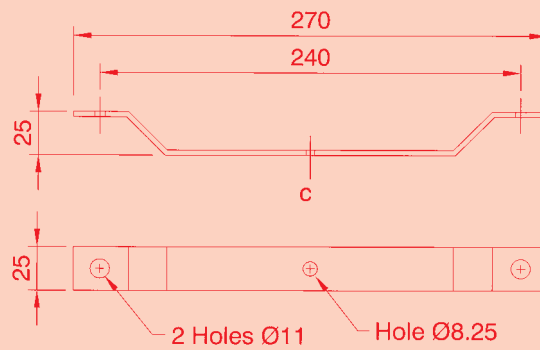
Pole mounting bracket to suit pole diameter
 (38-42mm) SPOL4-100004
 (48-52mm) SPOL4-100005
 (58-62mm) SPOL4-100006



PART DETAILS				
Part Code	Part Description	A	B	C
SPOL4-100004	Marquis II 38-42 P/M ASSY	80mm	66mm	26mm
SPOL4-100005	Marquis II 48-52 P/M ASSY	90mm	76mm	32mm
SPOL4-100006	Marquis II 58-62 P/M ASSY	96mm	80mm	38mm

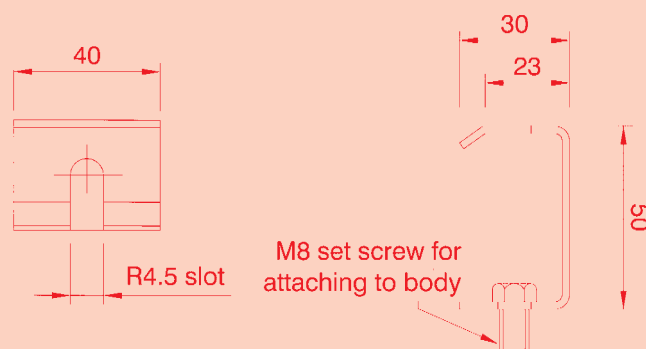
Offset Ceiling Bracket Assembly

Cat No. S3004-100001



C' Form Hook Type Ceiling Bracket Assembly

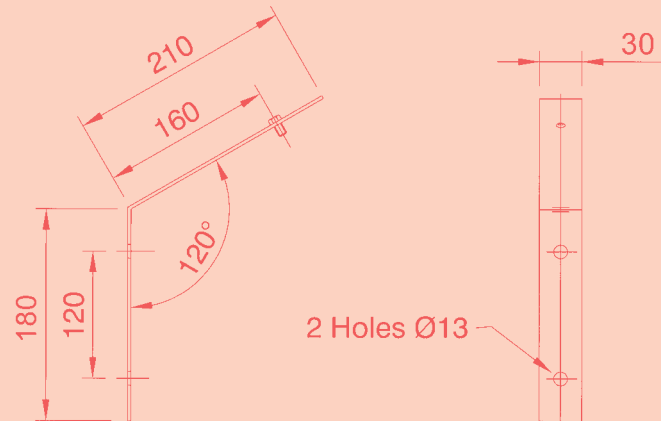
Cat No. SPRO4-0005



MOUNTING OPTIONS

Flush Mounted Wall Bracket Assembly

Cat No. S3004-100004

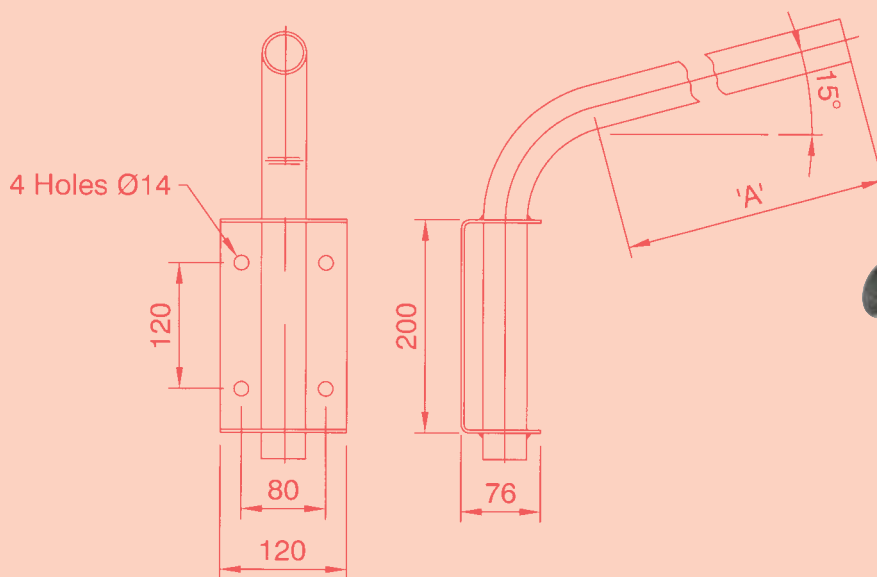


Flush mounting wall bracket
Cat No. SPRO4-0006

Note: All brackets are made from 316 Stainless Steel

Wall Mounting Outreach Bracket

Cat No. NPRO4-0008/0012/0022



Pole length 'A' for use with the following:

1. 18W body c/w pole clamps (SPOL4-100004), size 'A' = 650mm
Cat No. NPRO4-0008
2. 36W body c/w pole clamps, (SPOL4-100004) size 'A' = 1100mm
Cat No. NPRO4-0012
3. 58W body c/w pole clamps (SPOL4-100004) size 'A' = 1400mm
Cat No. NPRO4-0022

Pole clamps for all items must be ordered separately, see SPOL4-100004