

EXCALIBUR[®] VL19E

End of Life
Protection



FEATURES AND BENEFITS

Proven track record offshore • Excellent ingress protection • Cassette relamping for easy maintenance • End of Life protection

CERTIFICATION & APPROVALS

ATEX Certificate BAS00ATEX2190

Ex II 2 GD Ex em II T4 T100°C

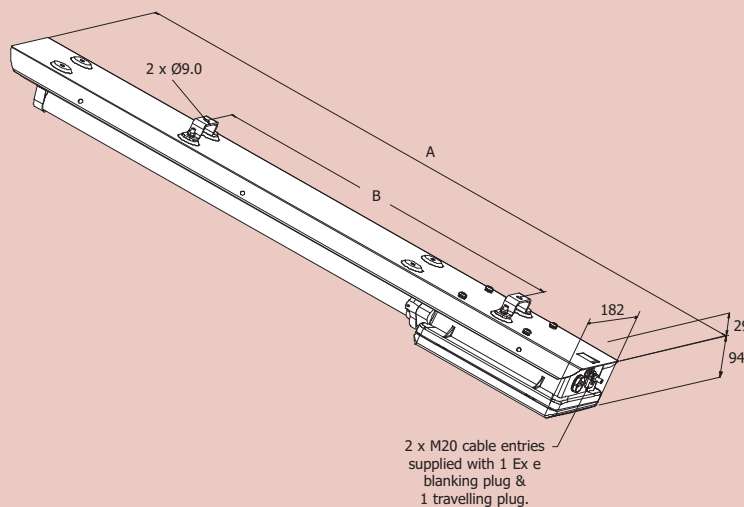
Ambient temperature range:
-35°C to +55°C*

Ingress protection to IP66 and IP67

GOST-R Approved
TIS Approved

*For operations below -20°C
please contact technical sales

DIMENSIONS



Fitting wattage	Overall length Dim A	Fixing centres Dim B
18W	1023	633
36W	1633	1243

Dimensions in millimetres

TECHNICAL SPECIFICATION

LAMP TYPES

Mono pin - T8, Ø26mm. 18W and 36W 'cold start' with Fa6 caps.
Bi-pin - T8, Ø26mm. 18W and 36W with G13 caps.

POWER SUPPLY

18W High voltage 110V-254V AC/DC 50/60Hz.
36W High voltage 220V-254V AC/DC 50/60Hz.
36W Low voltage 110V-130V AC/DC 50/60Hz. (/120)

POWER FACTOR

Better than 0.95.

TERMINALS

4 core up to 4 mm² conductors with looping.

Through wiring is available as an option.

Terminals for live constant, live switched, neutral & earth are provided. Internal earth is on gland entry plate, external earth terminal is supplied as standard with an M6 brass stud.

CABLE ENTRIES

Two x M20 threaded entries, supplied with 1 x transit plug and 1 x Ex blanking plug.

Cable entry devices (ie. glands) must maintain the IP rating for the luminaire.

TEMPERATURE CLASSIFICATION

Gas environments: T4.
Dust environments: T100°C.

AMBIENT TEMPERATURE

-35°C to +55°C.

MATERIALS

Control Gear Housing Polycarbonate with silicone rubber gaskets.
Lamp Envelope Polycarbonate end mouldings and extruded tube.
Reflector Epoxy powder coated stainless steel.
External Fasteners Stainless steel.

WEIGHT

18W luminaire - 6.3kg.
36W luminaire - 7.8kg.

SUSPENSION

Standard via two saddle brackets (fixing centres 633mm - 18W & 1243mm - 36W). Other fixings available upon request.

Optional ceiling, wall, pole mounting brackets, and eye bolts are also available on request.

The luminaire may be mounted in any orientation.

ORDERING REFERENCE

Std. Cat Ref.	Wattage	Lamp Type
EXCE/218/BI	2x18W	Bi-Pin
EXCE/236/BI	2x36W	Bi-Pin
EXCE/218/MO	2x18W	Mono-Pin
EXCE/236/MO	2x36W	Mono-Pin

OPTIONS - SUFFIX TO CATALOGUE REF.

/120	Specific voltage 110/130V (36W only)
/M25	25mm Entries
/T	Through wiring
/SC	Screwed connection terminal block (6mm ² conductors)

ACCESSORIES

Pole mount bracket (38-42mm)
SPOL4-100004

Pole mount bracket (48-52mm)
SPOL4-100005

Pole mount bracket (58-62mm)
SPOL4-100006

Ceiling mount bracket assembly
SEXCE-00001

M8 eye bolt
SEXCE-00008

Wall bracket
SEXCE-00009

Wire guard s/s (600mm)
SEXCE-00011

Wire guard s/s (1200mm)
SEXCE-00010